

4

3

2

1

MATERIAL & FINISH:

- 1 BODY: STAINLESS STEEL, PASSIVATED
- 2 CENTER CONTACT: BERYLLIUM COPPER ALLOY, GOLD PLATED
- 3 INSULATOR: HIGH TEMPERATURE POLYMER
- 4 COUPLING NUT: STAINLESS STEEL, PASSIVATED
- 5 RETAINING RING: BERYLLIUM COPPER ALLOY, UNPLATED

MECHANICAL DATA:

- 1 1.85MM INTERFACE ACCORDING TO: IEC61169-32
- 3 0.9MM INTERFACE ACCORDING TO: N/A

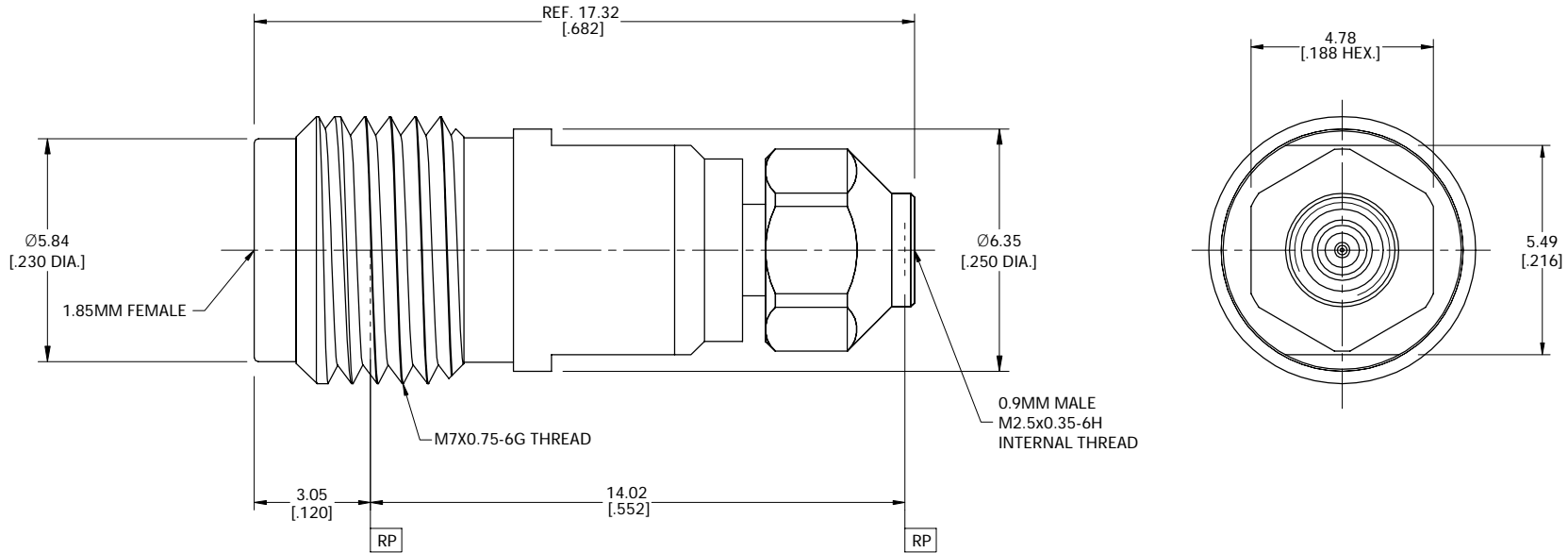
ELECTRICAL DATA:

- 1 IMPEDANCE: 50 Ω
- 2 FREQUENCY RANGE: DC-67 GHz
- 3 VSWR: 1.10 MAX. AT DC-18 GHz
1.15 MAX. AT 18-40 GHz
1.18MAX. AT 40-50 GHz
1.25 MAX. AT 50-67 GHz
- 4 LOW INSERTION LOSS

ENVIRONMENTAL DATA:

- 1 TEMPERATURE RANGE: -55°C ~ +125°C
- 2 2011/65/EU(RoHS) AND 2015/863/(RoHS): COMPLIANT
- 3 1907/2006/EC(REACH): COMPLIANT

REVISIONS			
REV.	DESCRIPTION	DATE	APPROVED
A	INITIAL RELEASE	03/07/24	J. Q



DRAWN	X. Y	DATE	03/07/24		
CHECKED	W. Y	DATE	03/07/24		
APPROVED	J. Q	DATE	03/07/24		
UNLESS OTHERWISE SPECIFIED DIMENSIONS ARE IN MILLIMETERS, DIMENSIONS IN [] ARE IN INCHES FOR CUSTOMER REFERENCE ONLY UNLESS OTHERWISE SPECIFIED TOLERANCE ARE:		THESE DRAWINGS AND SPECIFICATIONS ARE THE PROPERTY OF ANOISON ELECTRONICS LTD AND SHOULD NOT BE USED WITHOUT WRITTEN PERMISSION COPYRIGHT © 2024 ANOISON ELECTRONICS LTD		TITLE	PRECISION ADAPTER 1.85MM FEMALE TO 0.9MM MALE
XX	±0.13 [005"]	VIEW		PART NO.	PA6220D
X	±0.20 [008"]	SIZE	A3	SCALE	8:1
X	±0.50 [019"]	SHEET	1/1	REV.	A
X°	±1°				
X"	±2°				

4

3

2

1