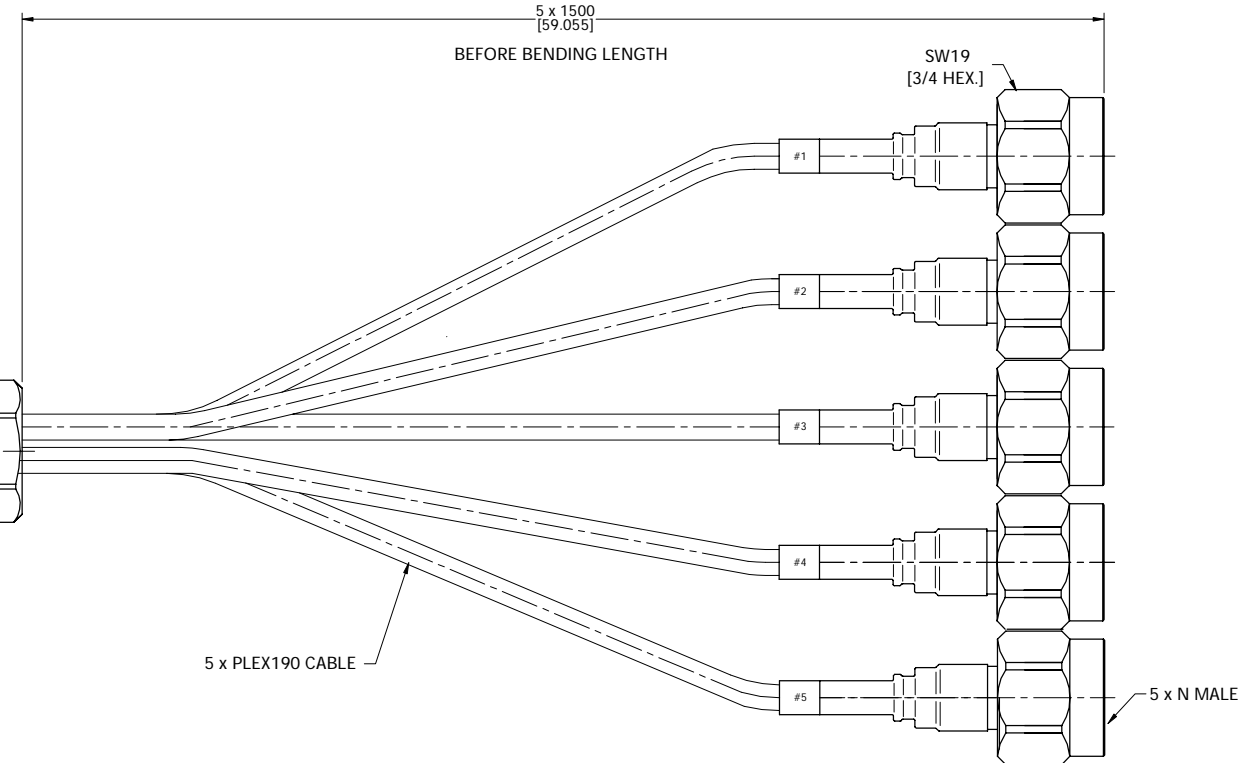
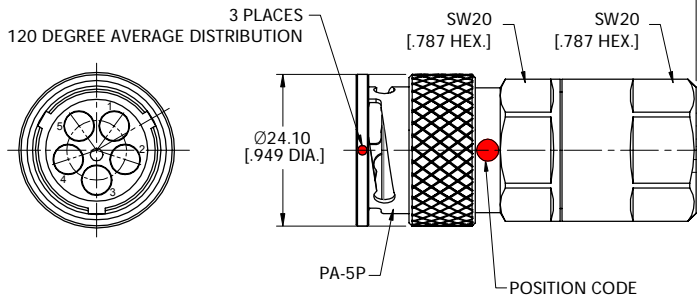


ELECTRICAL DATA:  
 1 IMPEDANCE: 50 Ω  
 2 FREQUENCY RANGE: DC-6 GHZ



TABEL 2

PA-5 PLUG NO.	CONNECTOR CODE
1	# 1
2	# 2
3	# 3
4	# 4
5	# 5

DRAWN	X. Y	DATE	08/30/24
CHECKED	W. Y	DATE	08/30/24
APPROVED	J. Q	DATE	08/30/24
UNLESS OTHERWISE SPECIFIED DIMENSIONS ARE IN MILLIMETERS ONLY UNLESS OTHERWISE SPECIFIED TOLERANCE ARE:		THESE DRAWINGS AND SPECIFICATIONS ARE THE PROPERTY OF ANOISON ELECTRONICS LTD AND SHOULD NOT BE USED WITHOUT WRITTEN PERMISSION COPYRIGHT © 2024 ANOISON ELECTRONICS LTD	
	XX	±0.13	
	X	±0.20	
	X	±0.50	
	X°	±1°	
	X"	±2°	



TITLE  
 CABLE ASSEMBLY, PA-5 PLUG  
 5 SMP STRAIGHT FEMALE TO N MALE, PLEX190 CABLE, 1.5 METERS

VIEW	PART NO. PA5P-0415		
	SIZE A3	SCALE 1.25:1	SHEET 1/1
	REV. A		