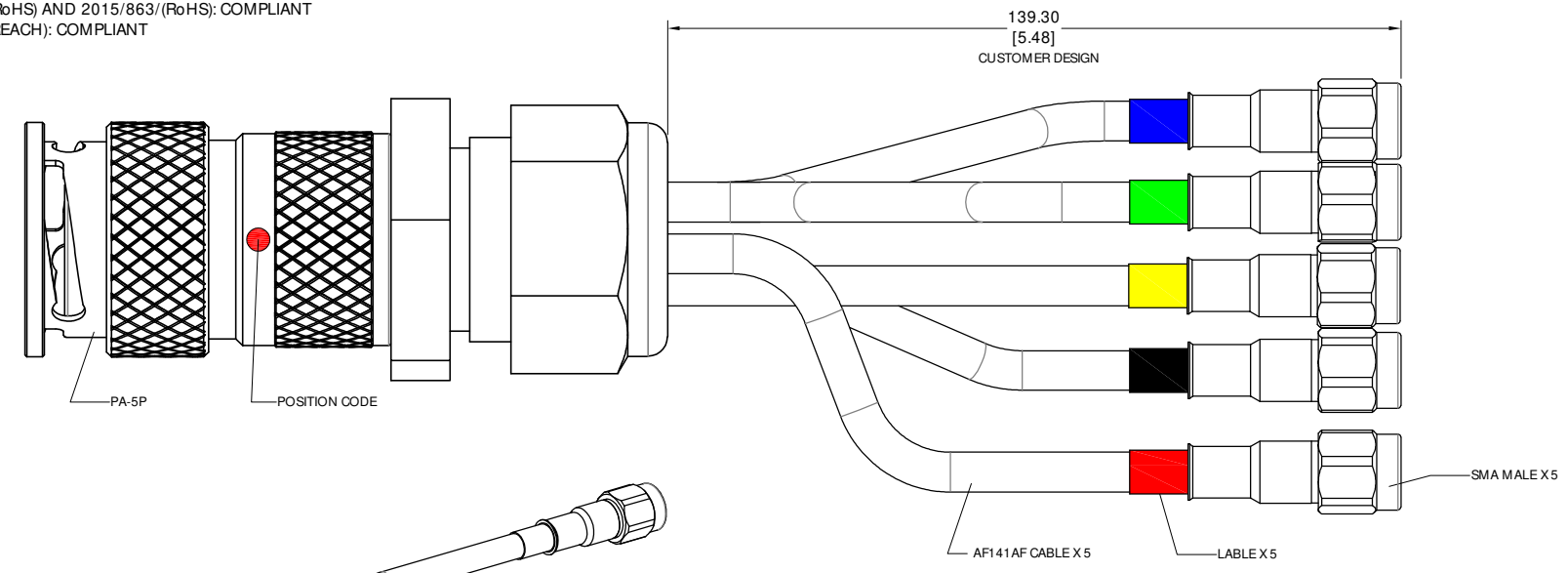


REVISIONS			
REV.	DESCRIPTION	DATE	APPROVED
A	INITIAL RELEASE	05/10/21	J QU

ELECTRICAL DATA:
 1 IMPEDANCE: 50 Ω
 2 FREQUENCY RANGE: DC-6GHZ
 3 VSWR: 1.16 TYP. 1.25 MAX.
 4 INSERTION LOSS: 0.90 dB MAX.
 5 SHIELDING EFFECTIVENESS: > 90 DB

ENVIRONMENTAL DATA:
 1 TEMPERATURE RANGE: -55°C~+150°C
 2 2011/65/EU(RoHS) AND 2015/863/(RoHS): COMPLIANT
 3 1999/45/EC(REACH): COMPLIANT



LABLE	S/N
GREEN	1
RED	2
YELLOW	3
BLACK	4
BLUE	5

DRAWN	X. B. YANG	DATE	05/10/21
CHECKED	W. YANG	DATE	05/10/21
APPROVED	J QU	DATE	05/10/21
UNLESS OTHERWISE SPECIFIED DIMENSIONS ARE IN MILLIMETERS ONLY UNLESS OTHERWISE SPECIFIED TOLERANCE ARE:		THESE DRAWINGS AND SPECIFICATIONS ARE THE PROPERTY OF ANOISON ELECTRONICS LTD AND SHOULD NOT BE USED WITHOUT WRITTEN PERMISSION COPYRIGHT © 2021 ANOISON ELECTRONICS LTD	
.XX	±0.13		
.X	±0.20		
X	±0.50		
.X"	±1"		
X"	±2"		

ANOISON

TITLE
 CABLE ASSEMBLY, PA-5 PLUG TO 5 SMP STRAIGHT FEMALE TO SMA STRAIGHT MALE, AF141AF CABLE

VIEW

PART NO.
 PA5P-01

SIZE	SCALE	SHEET	REV.
A3	4:1	1/1	A

D
C
B
A

D
C
B
A

4 3 2 1

4 3 2 1