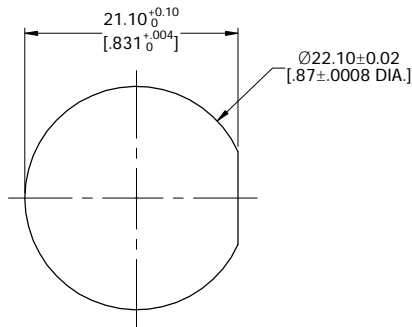
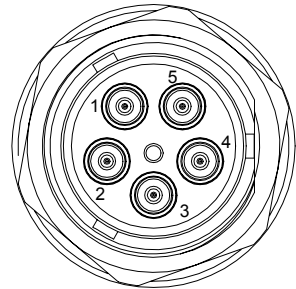
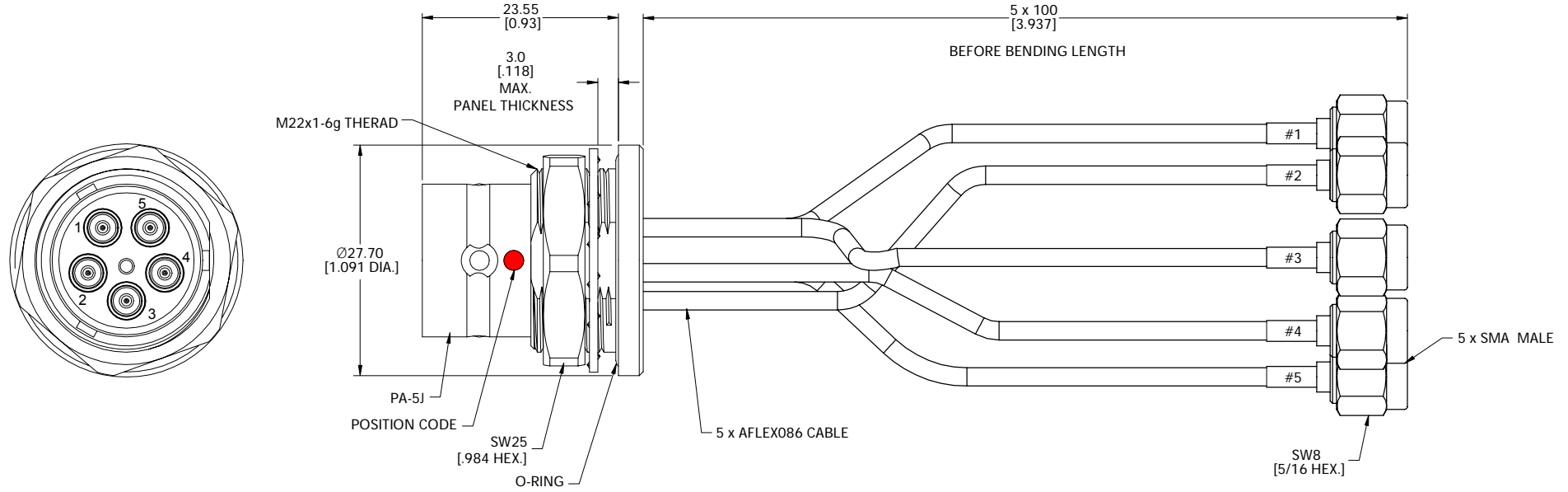


ELECTRICAL DATA:

- 1 IMPEDANCE: 50 Ω
- 2 FREQUENCY RANGE: DC-6 GHz



RECOMMENDED MOUNTING HOLE

PA-5 JACK NO.	CONNECTOR CODE
1	# 1
2	# 2
3	# 3
4	# 4
5	# 5

- NOTES:
- 1. UNLESS OTHERWISE SPECIFIED ALL DIMENSIONS ARE NOMINAL.
 - 2. ALL SPECIFICATIONS ARE SUBJECT TO CHANGED WITHOUT NOTICE AT ANY TIME.
 - 3. DIMENSIONS ARE IN MILLIMETERS, DIMENSIONS IN [] ARE IN INCHES
 - 4. LENGTH TOLERANCE IS ±2%.



TITLE
CABLE ASSEMBLY, PA-5 JACK BULKHEAD PANEL MOUNT
TO 5 x SMA STRAIGHT MALE, AFLEX086 CABLE, 100MM

VIEW	PART NO. PA5J-0301			
	SIZE A3	SCALE 1:1	SHEET 1/1	REV. A