

MATERIAL & FINISH:

- 1 BODY: STAINLESS STEEL, PASSIVATED
- 2 CENTER CONTACT: BERYLLIUM COPPER ALLOY, GOLD PLATED
- 3 INSULATOR: PEI

MECHANICAL DATA:

- 1 CENTER CONTACT ENGAGE/DISENGAGE FORCE: 0.23 N MAX.
- 2 COUPLING NUT ENGAGE/DISENGAGE TORQUE: 0.79 NM~1.13 NM
- 3 CENTER CONTACT RETENTION: 27 N MIN.
- 4 DURABILITY: 500 CYCLES MIN.

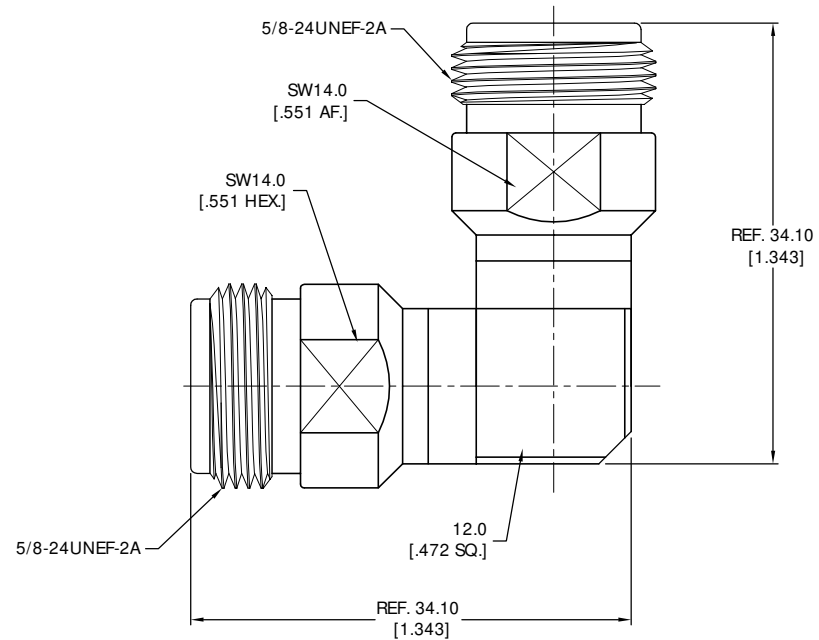
ENVIRONMENTAL DATA:

- 1 OPERATING TEMPERATURE: -55°C~+125°C
- 2 2011/65/EU(RoHS) AND 2015/863/(RoHS): COMPLIANT
- 3 1907/2006/EC(REACH): COMPLIANT

ELECTRICAL DATA:

- 1 IMPEDANCE: 50 Ω
- 2 FREQUENCY RANGE: 10MHz~18 GHz
- 3 VSWR: 1.15 MAX.
- 4 INSERTION LOSS: 0.06 √F(GHz) dB MAX.
- 5 INSULATION RESISTANCE: 5000 MEGOHM MIN.
- 6 DIELECTRIC WITHSTANDING VOLTAGE: 2000 VRMS MIN. AT SEA LEVEL
- 7 CONTACT RESISTANCE:
CENTER CONTACT - 1.0 MILLIOHM MAX.
OUTER CONDUCTOR - 0.3 MILLIOHM MAX.

REVISIONS			
REV.	DESCRIPTION	DATE	APPROVED
A	INITIAL RELEASE	08/06/20	J QU



DRAWN	X. B. YANG	DATE	08/06/20
CHECKED	W. YANG	DATE	08/06/20
APPROVED	J QU	DATE	08/06/20
UNLESS OTHERWISE SPECIFIED DIMENSIONS ARE IN MILLIMETERS. DIMENSIONS IN [] ARE IN INCHES FOR CUSTOMER REFERENCE ONLY UNLESS OTHERWISE SPECIFIED TOLERANCE ARE:		THESE DRAWINGS AND SPECIFICATIONS ARE THE PROPERTY OF ANOISON ELECTRONICS LTD AND SHOULD NOT BE USED WITHOUT WRITTEN PERMISSION COPYRIGHT © 2020 ANOISON ELECTRONICS LTD	
.XX	±0.13 [.005"]		
.X	±0.20 [.008"]		
X	±0.50 [.019"]		
.X°	±1°		
X°	±2°		



TITLE			
PRECISION ADAPTER, RIGHT ANGLE, N FEMALE TO N FEMALE			
VIEW		PART NO.	
		PA5151L	
SIZE	SCALE	SHEET	REV.
A3	5:1	1/1	A