

1.0 MATERIAL & FINISH:

- 1.1 BODY: STAINLESS STEEL, PASSIVATED
- 1.2 CENTER CONTACT: BERYLLIUM COPPER ALLOY, GOLD PLATED
- 1.3 INSULATOR: MPPO & PEI

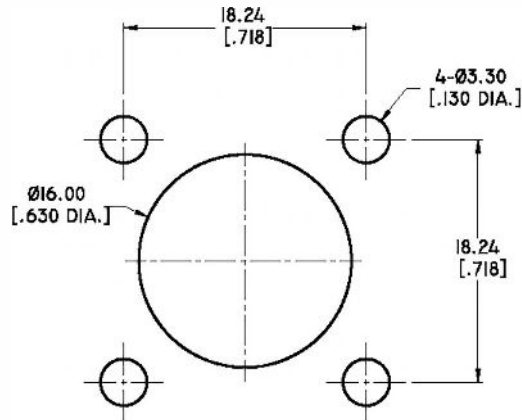
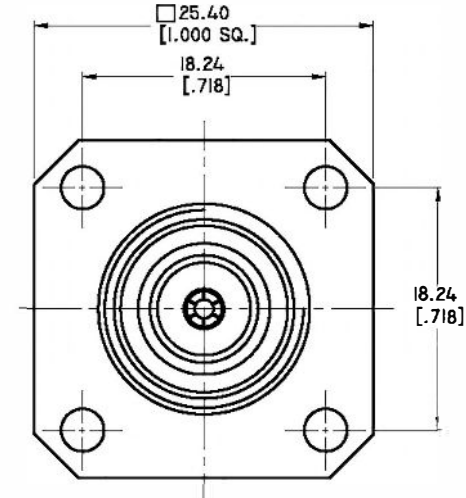
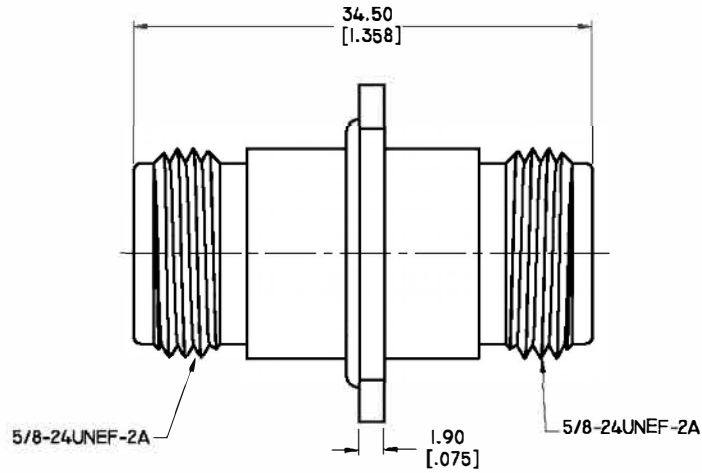
2.0 ENVIRONMENTAL DATA:

- 2.1 TEMPERATURE RANGE: -55°C~+125°C
- 2.2 2011/65/EU(RoHS) AND 2015/863/(RoHS): COMPLIANT
- 2.3 1907/2006/EC(REACH) AND 1999/45/EC(REACH): COMPLIANT

3.0 ELECTRICAL SPECIFICATIONS:

- 3.1 IMPEDANCE: 50 Ω
- 3.2 FREQUENCY RANGE: DC-18GHZ
- 3.3 VSWR: 1.15 MAX.

REVISIONS			
REV.	DESCRIPTION	DATE	APPROVED
A	INITIAL RELEASE	01/30/13	J. QU
B	CHANGED P/N	05/29/15	J. QU
C	CHANGED DRAWING	12/03/19	J. QU



RECOMMENDED MOUNTING HOLE

DRAWN	W. YANG	DATE	12/03/19
CHECKED	X. B. YANG	DATE	12/03/19
APPROVED	J. QU	DATE	12/03/19
UNLESS OTHERWISE SPECIFIED DIMENSIONS ARE IN MILLIMETERS, DIMENSIONS IN [] ARE IN INCHES FOR CUSTOMER REFERENCE ONLY UNLESS OTHERWISE SPECIFIED TOLERANCE ARE:		THESE DRAWINGS AND SPECIFICATIONS ARE THE PROPERTY OF ANOISON ELECTRONICS LTD AND SHOULD NOT BE USED WITHOUT WRITTEN PERMISSION COPYRIGHT © 2019 ANOISON ELECTRONICS LTD	
.XX	±0.13 [0.005"]		
.X	±0.20 [0.008"]		
X	±0.50 [0.019"]		
.X°	±1°		
X°	±2°		



TITLE
PRECISION ADAPTER ,
N FEMALE TO N FEMALE 4 HOLE FLANGE

VIEW	PART NO. PA5151F		
SIZE A3	SCALE 2.5:1	SHEET 1/1	REV. C