

MATERIAL & FINISH:

1. BODY: STAINLESS STEEL, PASSIVATED
2. CENTER CONTACT: BERYLLIUM COPPER ALLOY, GOLD PLATED
3. INSULATOR: PTFE & PEI

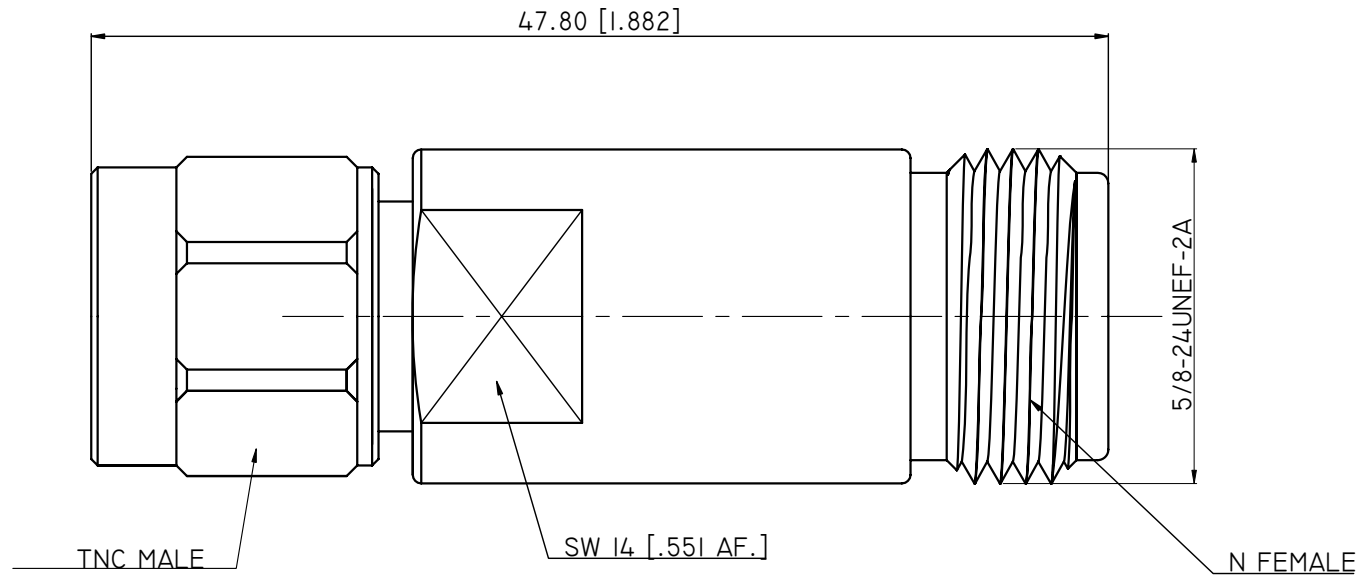
ENVIRONMENTAL DATA:

1. TEMPERATURE RANGE: -55°C~+125°C
2. 2011/65/EU (RoHS): COMPLIANT

ELECTRICAL SPECIFICATIONS:

1. IMPEDANCE: 50 Ω
2. FREQUENCY RANGE: DC~18GHZ
3. VSWR: 1.25 MAX

REVISIONS			
REV.	DESCRIPTION	DATE	APPROVED
A	INITIAL RELEASE	06/03/15	J. QU



DRAWN	L. YANG	DATE	06/03/15				
CHECKED	X. B. YANG	DATE	06/03/15				
APPROVED	J. QU	DATE	06/03/15				
UNLESS OTHERWISE SPECIFIED DIMENSIONS ARE IN MILLINMETERS, DIMENSIONS IN [] ARE IN INCHES FOR CUSTOMER REFERENCE ONLY UNLESS OTHERWISE SPECIFIED TOLERANCE ARE: .XX ±0.13 [.005"] .X ±0.20 [.008"] X ±0.50 [.019"] .X° ±1° X° ±2°				THESE DRAWINGS AND SPECIFICATIONS ARE THE PROPERTY OF ANOISON ELECTRONICS LTD AND SHOULD NOT BE USED WITHOUT WRITTEN PERMISSION COPYRIGHT © 2015 ANOISON			
VIEW				TITLE PRECISION ADAPTER , TNCA MALE TO N FEMALE			
				PART NO. PA5130D			
SIZE		SCALE		SHEET		REV.	
A3		4:1		1/1		A	