

4

3

2

1

MATERIAL & FINISH:

- 1 BODY: BRASS, GOLD PLATED
- 2 CENTER CONTACT: BERYLLIUM COPPER ALLOY, GOLD PLATED
- 3 INSULATOR: PTFE

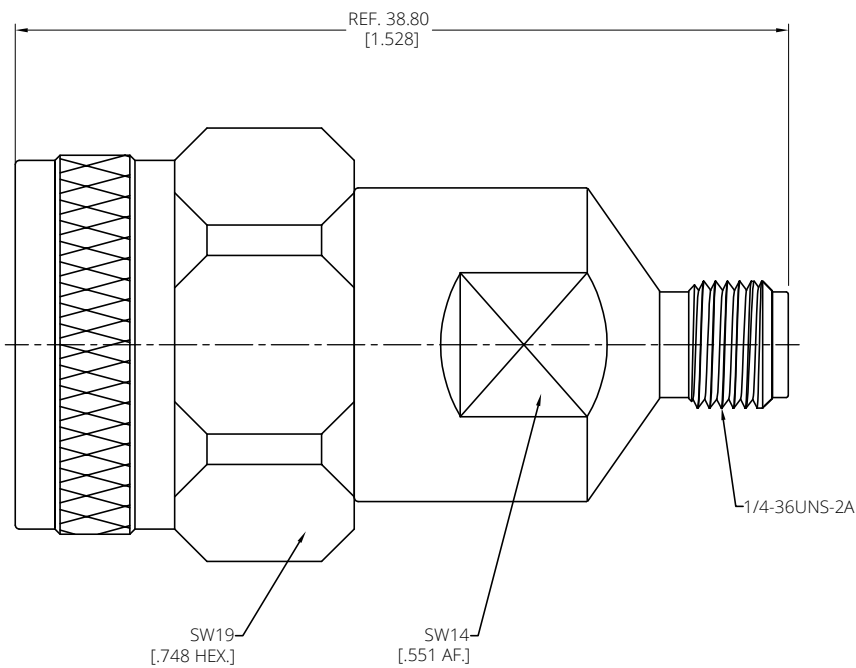
ELECTRICAL DATA:

- 1 IMPEDANCE: 50 Ω
- 2 FREQUENCY RANGE: DC~18 GHz


ENVIRONMENTAL DATA:

- 1 TEMPERATURE RANGE: -55°C~+125°C
- 2 2011/65/EU(RoHS) AND 2015/863/(RoHS): COMPLIANT
- 3 1999/2006/EC(REACH): COMPLIANT

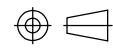
REVISIONS			
REV.	DESCRIPTION	DATE	APPROVED
A	INITIAL RELEASE	05/06/14	J. Q
B	CHANGED P/N	06/01/15	J. Q
C	DRAWING CHANGED	05/16/23	J. Q



DRAWN	W. Y	DATE	05/16/23
CHECKED	P. C	DATE	05/16/23
APPROVED	J. Q	DATE	05/16/23
UNLESS OTHERWISE SPECIFIED DIMENSIONS ARE IN MILLIMETERS, DIMENSIONS IN [] ARE IN INCHES FOR CUSTOMER REFERENCE ONLY UNLESS OTHERWISE SPECIFIED TOLERANCE ARE:		THESE DRAWINGS AND SPECIFICATIONS ARE THE PROPERTY OF ANOISON ELECTRONICS LTD AND SHOULD NOT BE USED WITHOUT WRITTEN PERMISSION COPYRIGHT © 2023 ANOISON ELECTRONICS LTD	
XX	±0.13 [.005"]		
X	±0.20 [.008"]		
X	±0.50 [.019"]		
X°	±1°		
X°	±2°		



TITLE
PRECISION ADAPTER N MALE TO 3.5MM FEMALE

VIEW 

PART NO. PA5125B

SIZE	SCALE	SHEET	REV.
A3	5:1	1/1	C

4

3

2

1