

MATERIAL & FINISH:

- 1 BODY: STAINLESS STEEL, PASSIVATED
- 2 CENTER CONTACT: BERYLLIUM COPPER ALLOY, GOLD PLATED
- 3 INSULATOR: PTFE & PEI
- 4 O-RING: SILICONE RUBBER

MECHANICAL DATA:

- 1 MECHANICAL DURABILITY: 500 CYCLES MIN.

ELECTRICAL DATA:

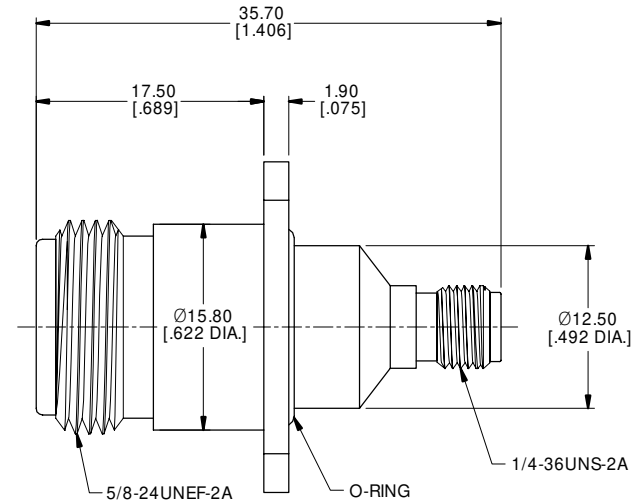
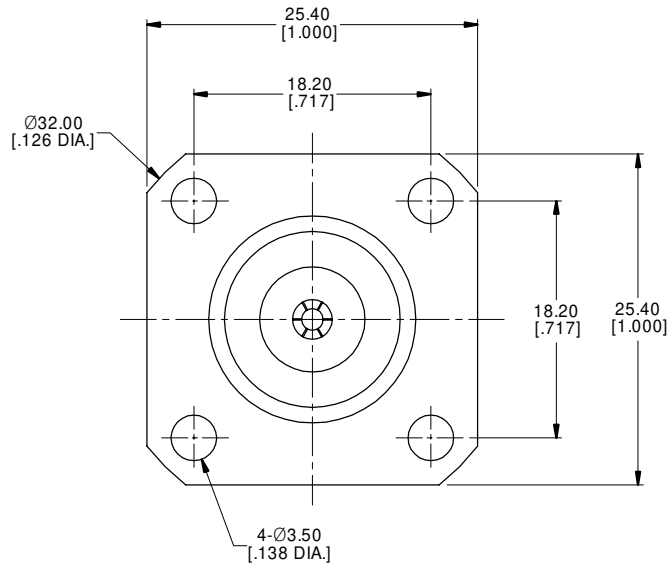
- 1 IMPEDANCE: 50 Ω
- 2 FREQUENCY RANGE: DC~18 GHz
- 3 VSWR: 1.15 MAX.
- 4 INSERTION LOSS: 0.04 X √F GHz dB MAX.

ENVIRONMENTAL DATA:

- 1 TEMPERATURE RANGE: -55°C~+125°C
- 2 2011/65/EU(RoHS) AND 2015/863/(RoHS): COMPLIANT
- 3 1907/2006/EC(REACH): COMPLIANT

REVISIONS

REV.	DESCRIPTION	DATE	APPROVED
A	INITIAL RELEASE	12/07/21	J QU



DRAWN	XB. YANG	DATE	12/07/21
CHECKED	W. YANG	DATE	12/07/21
APPROVED	J QU	DATE	12/07/21

UNLESS OTHERWISE SPECIFIED DIMENSIONS ARE IN MILLIMETERS, DIMENSIONS IN [] ARE IN INCHES FOR CUSTOMER REFERENCE ONLY UNLESS OTHERWISE SPECIFIED TOLERANCE ARE:

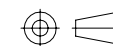
.xx	±0.13 [0.005"]
.x	±0.20 [0.008"]
x	±0.50 [0.019"]
xc	±1°
x°	±2°

THESE DRAWINGS AND SPECIFICATIONS ARE THE PROPERTY OF ANOISON ELECTRONICS LTD AND SHOULD NOT BE USED WITHOUT WRITTEN PERMISSION COPYRIGHT © 2021 ANOISON ELECTRONICS LTD



TITLE
PRECISION ADAPTER
N FEMALE TO SMA FEMALE, 4 HOLES FLANGE

VIEW



PART NO.

PA5121F

SIZE
A3

SCALE
2.5:1

SHEET
1/1

REV.
A