

1.0 MATERIAL & FINISH:

- 1.1 CENTER CONTACT: BERYLLIUM COPPER ALLOY, GOLD PLATED
- 1.2 INSULATOR: PTFE
- 1.3 BODY: STAINLESS STEEL, PASSIVATED
- 1.4 COUPLING NUT: STAINLESS STEEL, PASSIVATED

2.0 ENVIRONMENTAL DATA:

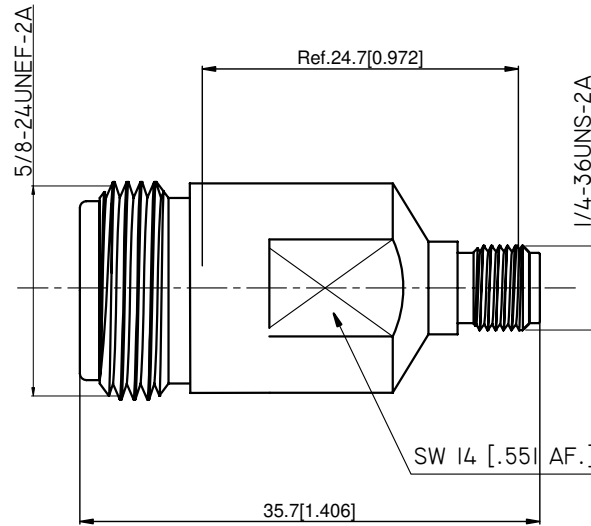
- 2.1 TEMPERATURE RANGE: -55°C~+165°C
- 2.2 2002/95/EC (RoHS): COMPLIANT

3.0 ELECTRICAL SPECIFICATIONS:

- 3.1 IMPEDANCE: 50 Ω
- 3.2 FREQUENCY RANGE: DC~18GHZ
- 3.3 VSWR: 1.15 MAX. DC~11GHZ
1.20 MAX. 11~18GHZ

REVISIONS

REV.	DESCRIPTION	DATE	APPROVED
A	INITIAL RELEASE	05/13/15	J. QU
B	CHANGED P/N	06/01/15	J. QU



DRAWN L. YANG	DATE 06/01/15				
CHECKED X. B. YANG	DATE 06/01/15				
APPROVED J. QU	DATE 06/01/15				
UNLESS OTHERWISE SPECIFIED DIMENSIONS ARE IN MILLIMETERS, DIMENSIONS IN [] ARE IN INCHES FOR CUSTOMER REFERENCE ONLY UNLESS OTHERWISE SPECIFIED TOLERANCE ARE: .XX ±0.13 [.005"] .X ±0.20 [.008"] X ±0.50 [.019"] .X° ±1° X° ±2°		THESE DRAWINGS AND SPECIFICATIONS ARE THE PROPERTY OF ANOISON ELECTRONICS LTD AND SHOULD NOT BE USED WITHOUT WRITTEN PERMISSION COPYRIGHT © 2015 ANOISON		TITLE PRECISION ADAPTER, N FEMALE TO SMA FEMALE	
		VIEW 	PART NO. PA512IC		
		SIZE A3	SCALE 2.5:1	SHEET 1/1	REV. B