

**1.0 MATERIAL & FINISH:**

- 1.1 BODY: STAINLESS STEEL, PASSIVATED
- 1.2 CENTER CONTACT: BERYLLIUM COPPER, GOLD PLATED
- 1.3 INSULATOR: PEI & PTFE

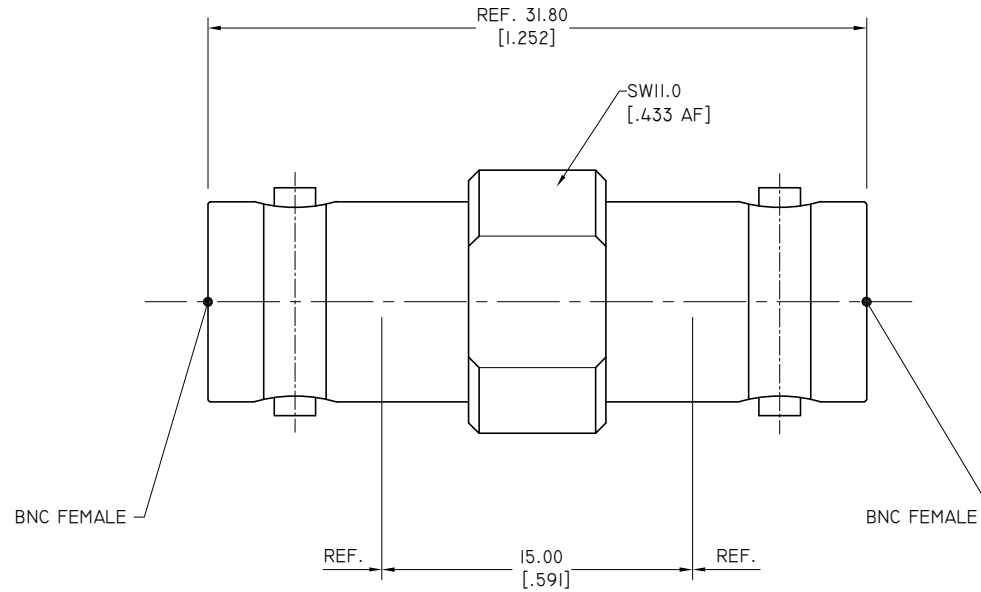
**2.0 ENVIRONMENTAL DATA:**

- 2.1 TEMPERATURE RANGE: -55°C~+125°C
- 2.2 2011/65/EU (RoHS): COMPLIANT AND 2015/863/(RoHS): COMPLIANT  
1999/45/EC(REACH): COMPLIANT

**3.0 ELECTRICAL DATA:**

- 3.1 IMPEDANCE: 50 Ω
- 3.2 FREQUENCY RANGE: DC~8 GHz
- 3.3 VSWR: 1.15 MAX.

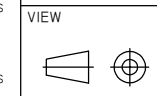
REVISIONS			
REV.	DESCRIPTION	DATE	APPROVED
A	INITIAL RELEASE	02/19/20	J. QU



DRAWN	W. YANG	DATE	02/19/20
CHECKED	X. B. YANG	DATE	02/19/20
APPROVED	J. QU	DATE	02/19/20
UNLESS OTHERWISE SPECIFIED DIMENSIONS ARE IN MILLIMETERS, DIMENSIONS IN [ ] ARE IN INCHES FOR CUSTOMER REFERENCE ONLY UNLESS OTHERWISE SPECIFIED TOLERANCE ARE:		THESE DRAWINGS AND SPECIFICATIONS ARE THE PROPERTY OF ANOISON ELECTRONICS LTD AND SHOULD NOT BE USED WITHOUT WRITTEN PERMISSION COPYRIGHT © 2020 ANOISON ELECTRONICS LTD	
.XX	±0.13 [.005"]		
.X	±0.20 [.008"]		
X	±0.50 [.019"]		
.X°	±1°		
X°	±2°		



TITLE  
PRECISION ADAPTER, BNC FEMALE TO BNC FEMALE



PART NO. PA3131C			
SIZE A3	SCALE 4:1	SHEET 1/1	REV. A