

1.0 MATERIAL & FINISH:

- 1.1 BODY: STAINLESS STEEL, PASSIVATED
- 1.2 CENTER CONTACT: BERYLLIUM COPPER, GOLD PLATED
- 1.3 INSULATOR: PEI & PTFE
- 1.4 COUPLING NUT: BRASS, NICKEL PLATED

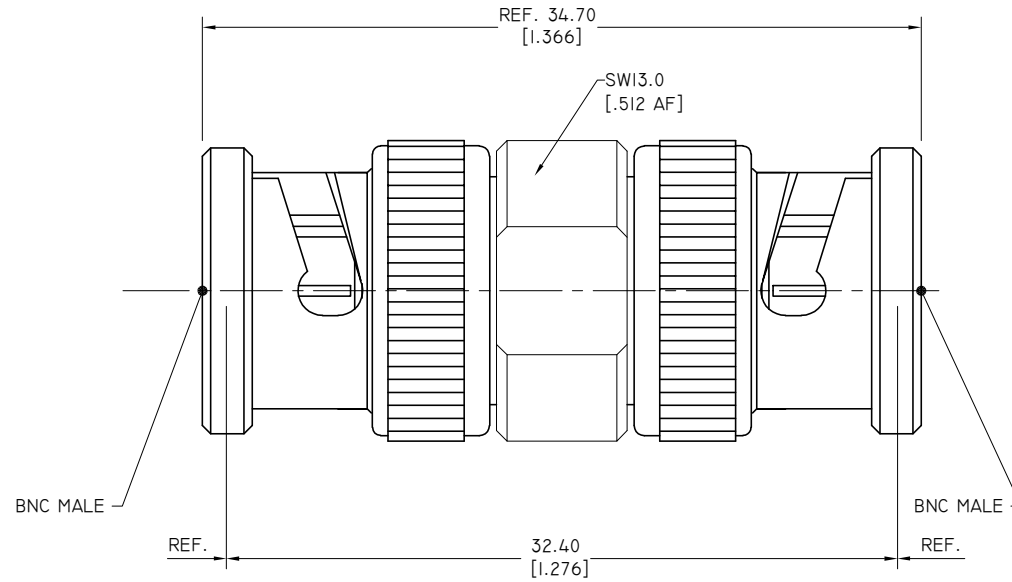
2.0 ENVIRONMENTAL DATA:

- 2.1 TEMPERATURE RANGE: -55°C~+125°C
- 2.2 2011/65/EU (RoHS): COMPLIANT AND 2015/863/(RoHS): COMPLIANT
1999/45/EC(REACH): COMPLIANT

3.0 ELECTRICAL DATA:

- 3.1 IMPEDANCE: 50 Ω
- 3.2 FREQUENCY RANGE: DC~8 GHZ
- 3.3 VSWR: 1.15 MAX.

REVISIONS			
REV.	DESCRIPTION	DATE	APPROVED
A	INITIAL RELEASE	02/19/20	J. QU



DRAWN	W. YANG	DATE	02/19/20
CHECKED	X. B. YANG	DATE	02/19/20
APPROVED	J. QU	DATE	02/19/20
UNLESS OTHERWISE SPECIFIED DIMENSIONS ARE IN MILLIMETERS, DIMENSIONS IN [] ARE IN INCHES FOR CUSTOMER REFERENCE ONLY UNLESS OTHERWISE SPECIFIED TOLERANCE ARE:		THESE DRAWINGS AND SPECIFICATIONS ARE THE PROPERTY OF ANOISON ELECTRONICS LTD AND SHOULD NOT BE USED WITHOUT WRITTEN PERMISSION COPYRIGHT © 2020 ANOISON ELECTRONICS LTD	
.XX	±0.13 [.005"]	VIEW 	
.X	±0.20 [.008"]		
X	±0.50 [.019"]		
.X°	±1°		
X°	±2°		

TITLE
PRECISION ADAPTER, BNC MALE TO BNC MALE

VIEW

PART NO.
PA3131A

SIZE A3	SCALE 4:1	SHEET 1/1	REV. A
-------------------	---------------------	---------------------	------------------

D

D

C

C

B

B

A

A