

4

3

2

1

MATERIAL & FINISH:

- 1 BODY: STAINLESS STEEL, PASSIVATED
- 2 CENTER CONTACT: BERYLLIUM COPPER ALLOY, GOLD PLATED
- 3 COUPLING NUT: STAINLESS STEEL, PASSIVATED
- 4 INSULATOR: PTFE

ELECTRICAL DATA:

- 1 IMPEDANCE: 50 Ω
- 2 FREQUENCY RANGE: DC~18 GHz
- 3 VSWR: 1.20 MAX
- 4 INSERTION LOSS: 0.08 x √FGHZ

ENVIRONMENTAL DATA:

- 1 TEMPERATURE RANGE: -55 °C~+125 °C
- 2 2011/65/EU(RoHS) AND 2015/863/(RoHS): COMPLIANT
- 3 1907/2006/EC(REACH): COMPLIANT

REVISIONS			
REV.	DESCRIPTION	DATE	APPROVED
A	INITIAL RELEASE	09/25/20	J QU

D

D

C

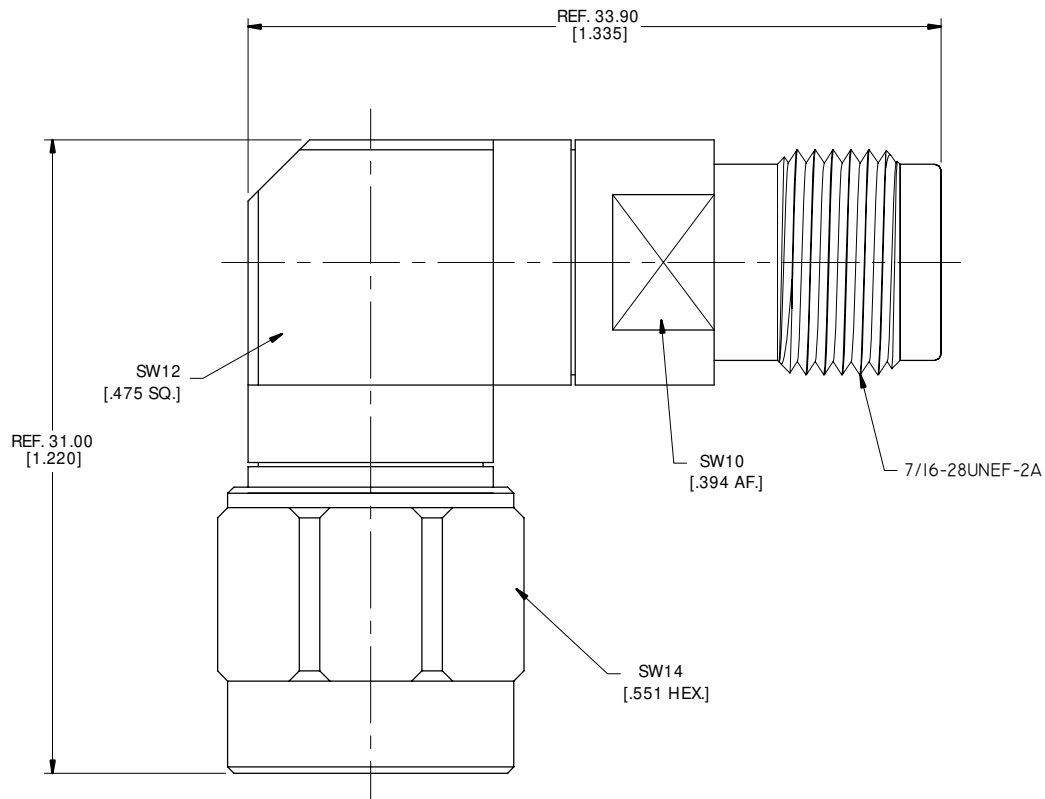
C

B

B

A

A



DRAWN	X. B. YANG	DATE	09/25/20
CHECKED	W. YANG	DATE	09/25/20
APPROVED	J QU	DATE	09/25/20
UNLESS OTHERWISE SPECIFIED DIMENSIONS ARE IN MILLIMETERS, DIMENSIONS IN [] ARE IN INCHES FOR CUSTOMER REFERENCE ONLY UNLESS OTHERWISE SPECIFIED		TOLERANCE ARE:	
.XX	±0.13 [.005"]	THESE DRAWINGS AND SPECIFICATIONS ARE THE PROPERTY OF ANOISON ELECTRONICS LTD AND SHOULD NOT BE USED WITHOUT WRITTEN PERMISSION	
.X	±0.20 [.008"]	COPYRIGHT © 2020 ANOISON ELECTRONICS LTD	
X	±0.50 [.019"]		
.X°	±1°		
X°	±2°		



TITLE			
PRECISION ADAPTER, RIGHT ANGLE TNCA MALE TO TNCA FEMALE			
VIEW		PART NO.	
		PA3030K	
SIZE	SCALE	SHEET	REV.
A3	4:1	1/1	A

4

3

2

1