

MATERIAL & FINISH

- 1 BODY: STAINLESS STEEL, PASSIVATED
- 2 CENTER CONTACT: BERYLLIUM COPPER ALLOY, GOLD PLATED
- 3 INSULATOR: PEI

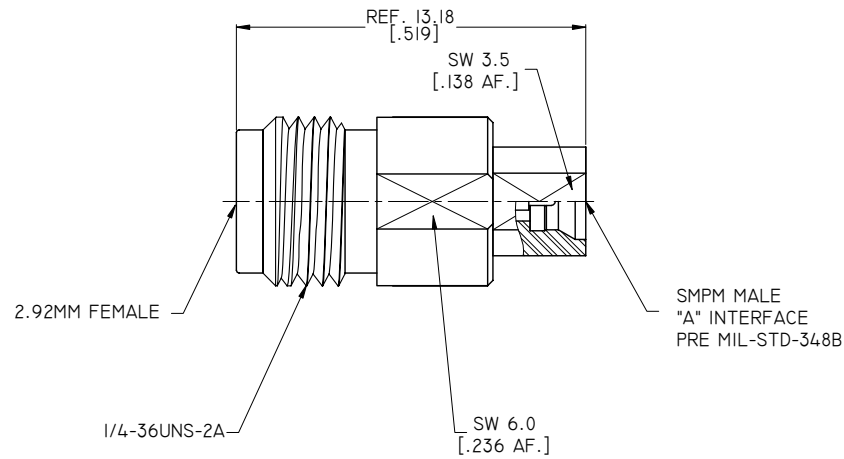
ENVIRONMENTAL DATA:

- 1 TEMPERATURE RANGE: -55°C~+125°C
- 2 2011/65/EU (RoHS): COMPLIANT

ELECTRICAL DATA:

- 1 IMPEDANCE: 50 OHMS
- 2 FREQUENCY RANGE: DC~40 GHZ
- 3 VSWR: ≤1.20 AT DC~18GHZ
 ≤1.30 AT 18~26.5GHZ
 ≤1.50 AT 26.5~40GHZ

REVISIONS			
REV.	DESCRIPTION	DATE	APPROVED
A	INITIAL RELEASE	05/04/16	J. QU
B	CHANGED MATERIAL & FINISH	05/23/16	J. QU



PART NO.	"A" INTERFACE
PA2994D-1	FULL DETENT
PA2994D-2	SMOOTH BORE

DRAWN	P. CHEN	DATE	05/23/16
CHECKED	L. YANG	DATE	05/23/16
APPROVED	J. QU	DATE	05/23/16
UNLESS OTHERWISE SPECIFIED DIMENSIONS ARE IN MILLIMETERS, DIMENSIONS IN [] ARE IN INCHES FOR CUSTOMER REFERENCE ONLY UNLESS OTHERWISE SPECIFIED TOLERANCE ARE:		THESE DRAWINGS AND SPECIFICATIONS ARE THE PROPERTY OF ANOISON ELECTRONICS LTD AND SHOULD NOT BE USED WITHOUT WRITTEN PERMISSION COPYRIGHT © 2016 ANOISON ELECTRONICS LTD	
.XX	±0.13 [.005"]		
.X	±0.20 [.008"]		
X	±0.50 [.019"]		
.X°	±1°		
X°	±2°		



TITLE
PRECISION ADAPTER, 2.92MM FEMALE TO SMPM MALE

VIEW	PART NO. PA2994D		
	SIZE A3	SCALE 5:1	SHEET 1/1
	REV. B		