

4

3

2

1

**MATERIAL & FINISH:**

1. BODY: STAINLESS STEEL, PASSIVATED
2. CENTER CONTACT: BERYLLIUM COPPER ALLOY, GOLD PLATED
3. INSULATOR: PEI
4. O-RING: SILICONE RUBBER

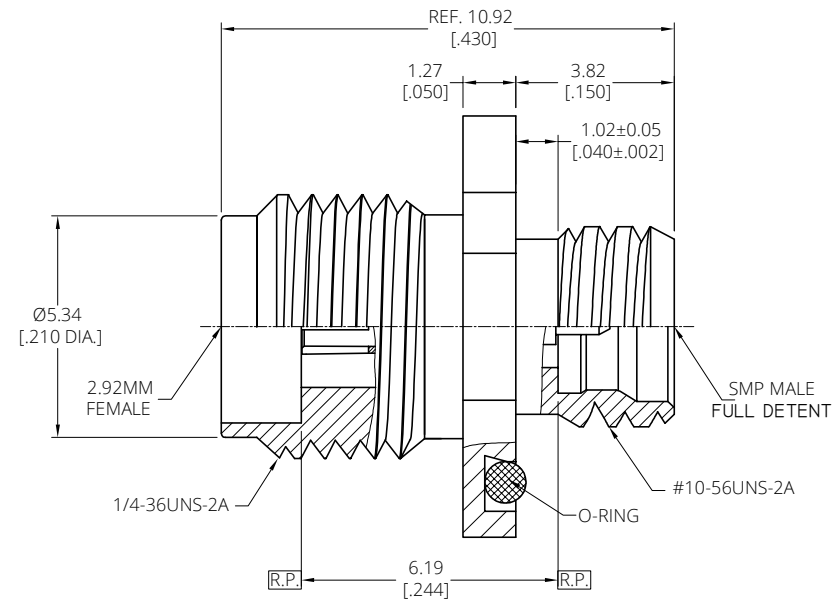
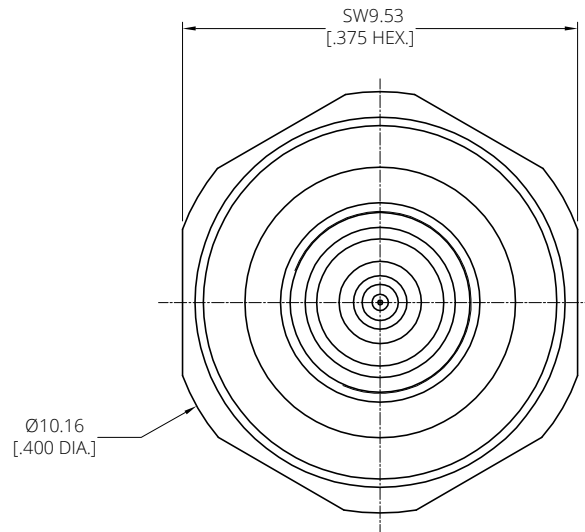
**ELECTRICAL DATA:**


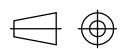
1. IMPEDANCE: 50 OHMS
2. FREQUENCY RANGE: DC~40 GHz
3. VSWR: 1.25 MAX.

**ENVIRONMENTAL DATA:**

1. TEMPERATURE RANGE: -40°C~+125°C
2. 2011/65/EU(RoHS) AND 2015/863/(RoHS): COMPLIANT
3. 1999/45/EC(REACH): COMPLIANT

REVISIONS			
REV.	DESCRIPTION	DATE	APPROVED
A	INITIAL RELEASE	03/11/26	J. Q



DRAWN	P. C	DATE	03/11/26				
CHECKED	L. Y	DATE	03/11/26				
APPROVED	J. Q	DATE	03/11/26				
UNLESS OTHERWISE SPECIFIED DIMENSIONS ARE IN MILLIMETERS, DIMENSIONS IN [ ] ARE IN INCHES FOR CUSTOMER REFERENCE ONLY UNLESS OTHERWISE SPECIFIED		TOLERANCE ARE:		THESE DRAWINGS AND SPECIFICATIONS ARE THE PROPERTY OF ANOISON ELECTRONICS LTD AND SHOULD NOT BE USED WITHOUT WRITTEN PERMISSION COPYRIGHT © 2026 ANOISON ELECTRONICS LTD			
XX ±0.13 [.005"]		X ±0.20 [.008"]		TITLE		PART NO.	
X ±0.50 [.019"]		X° ±1°		PRECISION ADAPTER, 2.92MM FEMALE TO SMP BULKHEAD (with #10-56UNS-2A thread) MALE (FULL DETENT)		PA2993V	
X° ±2°		VIEW		SCALE		SHEET	
				8:1		1/1	
				REV.		A	
				SIZE		A3	

4

3

2

1