

4

3

2

1

MATERIAL & FINISH:

- 1. BODY: STAINLESS STEEL, PASSIVATED
- 2. CENTER CONTACT: BERYLLIUM COPPER ALLOY, GOLD PLATED
- 3. INSULATOR: PEI

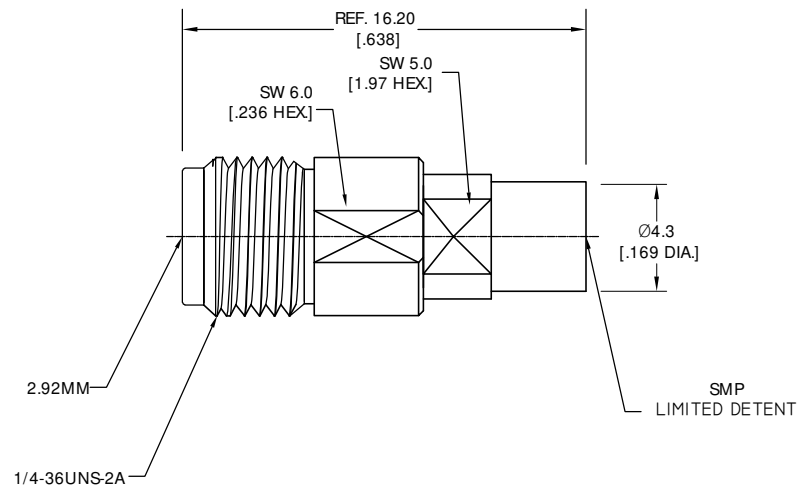
ELECTRICAL DATA:

- 1. IMPEDANCE: 50 OHMS
- 2. FREQUENCY RANGE: DC~40 GHz
- 3. VSWR: 1.25 MAX.

ENVIRONMENTAL DATA:

- 1. TEMPERATURE RANGE: -40°C~+125°C
- 2. 2011/65/EU(RoHS) AND 2015/863/(RoHS): COMPLIANT
- 3. 1999/45/EC(REACH): COMPLIANT

REVISIONS			
REV.	DESCRIPTION	DATE	APPROVED
A	INITIAL RELEASE	11/27/20	J QU



DRAWN	W. YANG	DATE	11/27/20
CHECKED	L. YANG	DATE	11/27/20
APPROVED	J QU	DATE	11/27/20
UNLESS OTHERWISE SPECIFIED DIMENSIONS ARE IN MILLIMETERS, DIMENSIONS IN [ ] ARE IN INCHES FOR CUSTOMER REFERENCE ONLY UNLESS OTHERWISE SPECIFIED TOLERANCE ARE:		THESE DRAWINGS AND SPECIFICATIONS ARE THE PROPERTY OF ANOISON ELECTRONICS LTD AND SHOULD NOT BE USED WITHOUT WRITTEN PERMISSION COPYRIGHT © 2020 ANOISON ELECTRONICS LTD	
XX	±0.13 [.005"]		
X	±0.20 [.008"]		
X	±0.50 [.019"]		
X°	±1°		
X°	±2°		

**TITLE**  
PRECISION ADAPTER, 2.92MM FEMALE TO SMP MALE (LIMITED DETENT)

**VIEW**

**PART NO.**  
PA2993D

SIZE A3	SCALE 2.5:1	SHEET 1/1	REV. A
------------	----------------	--------------	-----------

4

3

2

1