

4

3

2

1

MATERIAL & FINISH:

- 1 BODY: STAINLESS STEEL, PASSIVATED
- 2 CENTER CONTACT: BERYLLIUM COPPER, GOLD PLATED
- 3 COUPLING NUT: STAINLESS STEEL, PASSIVATED
- 4 INSULATOR: PEI

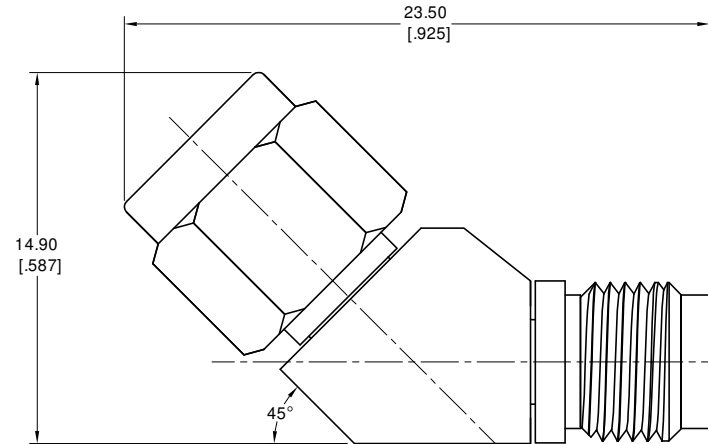
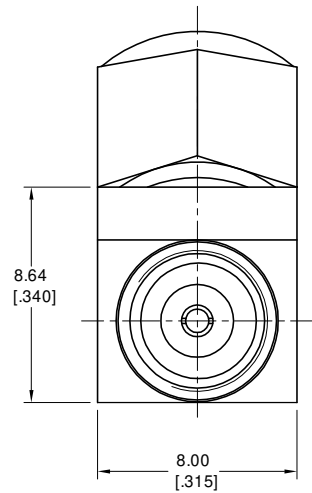
ELECTRICAL DATA:

- 1 IMPEDANCE: 50 Ω
- 2 FREQUENCY RANGE: DC-40 GHz
- 3 VSWR: 1.20 MAX
- 4 INSERTION LOSS: .05x√F (GHz) dB

ENVIRONMENTAL DATA:

- 1 TEMPERATURE RANGE: -55 °C ~ +125 °C
- 2 2011/65/EU (RoHS) AND 2015/863/(RoHS): COMPLIANT
- 3 1999/2006/EC (REACH): COMPLIANT

REVISIONS			
REV.	DESCRIPTION	DATE	APPROVED
A	INITIAL RELEASE	07/14/25	J Q



DRAWN	P. C	DATE	07/14/25
CHECKED	X. Y	DATE	07/14/25
APPROVED	J Q	DATE	07/14/25
UNLESS OTHERWISE SPECIFIED DIMENSIONS ARE IN MILLIMETERS, DIMENSIONS IN [] ARE IN INCHES FOR CUSTOMER REFERENCE ONLY UNLESS OTHERWISE SPECIFIED TOLERANCE ARE:		THESE DRAWINGS AND SPECIFICATIONS ARE THE PROPERTY OF ANOISON ELECTRONICS LTD AND SHOULD NOT BE USED WITHOUT WRITTEN PERMISSION COPYRIGHT © 2025 ANOISON ELECTRONICS LTD	
.XX	±0.13 [0.005"]		
.X	±0.20 [0.008"]		
X	±0.50 [0.019"]		
.X°	±1°		
X°	±2°		



TITLE			
PRECISION ADAPTER, 45 DEGREE ANGLE 2.92MM MALE TO 2.92MM FEMALE			
VIEW	PART NO.		
	PA2929KA		
SIZE	SCALE	SHEET	REV.
A3	5:1	1/1	A

4

3

2

1