

MATERIAL & FINISH:

- 1 BODY: STAINLESS STEEL, PASSIVATED
- 2 CENTER CONTACT: BERYLLIUM COPPER ALLOY, GOLD PLATED
- 3 INSULATOR: PEI

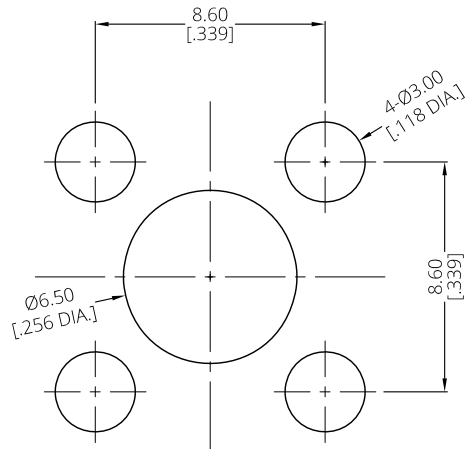
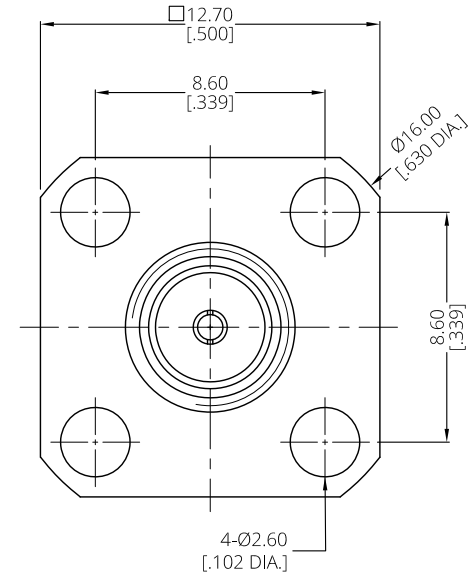
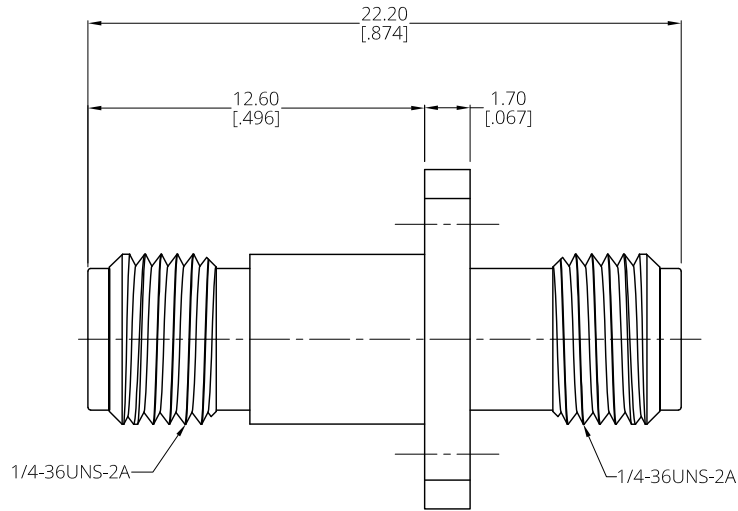
ELECTRICAL DATA:

- 1 IMPEDANCE: 50 Ω
- 2 FREQUENCY RANGE: DC-40 GHz
- 3 VSWR: 1.20 MAX.
- 4 INSERTION LOSS: 0.35dB MAX.

ENVIRONMENTAL DATA:

- 1 TEMPERATURE RANGE: -65°C~+165°C
- 2 2011/65/EU(ROHS) AND 2015/863/(ROHS): COMPLIANT
- 3 1907/2006/EC(REACH): COMPLIANT

REVISIONS			
REV.	DESCRIPTION	DATE	APPROVED
A	INITIAL RELEASE	01/29/26	J. Q



RECOMMENDED MOUNTING HOLE

DRAWN	Y. H	DATE	01/29/26
CHECKED	L. Y	DATE	01/29/26
APPROVED	J. Q	DATE	01/29/26

UNLESS OTHERWISE SPECIFIED DIMENSIONS ARE IN MILLIMETERS, DIMENSIONS IN [] ARE IN INCHES FOR CUSTOMER REFERENCE ONLY UNLESS OTHERWISE SPECIFIED TOLERANCE ARE:

.XX	±0.13 [0.005"]
.X	±0.20 [0.008"]
X	±0.50 [0.019"]
.X°	±1°
X°	±2°

THESE DRAWINGS AND SPECIFICATIONS ARE THE PROPERTY OF ANOISON ELECTRONICS LTD AND SHOULD NOT BE USED WITHOUT WRITTEN PERMISSION COPYRIGHT © 2026 ANOISON ELECTRONICS LTD



TITLE			
PRECISION ADAPTER, 2.92MM FEMALE TO 2.92MM FEMALE 4 HOLE FLANGE			
VIEW		PART NO.	
		PA2929FE	
SIZE	SCALE	SHEET	REV.
A3	5:1	1/1	A