

MATERIAL & FINISH:

- 1 BODY: STAINLESS STEEL, PASSIVATED
- 2 CENTER CONTACT: BERYLLIUM COPPER ALLOY, GOLD PLATED
- 3 COUPLING NUT: STAINLESS STEEL, PASSIVATED
- 4 INSULATOR: PEI

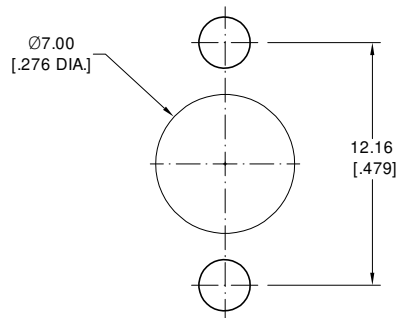
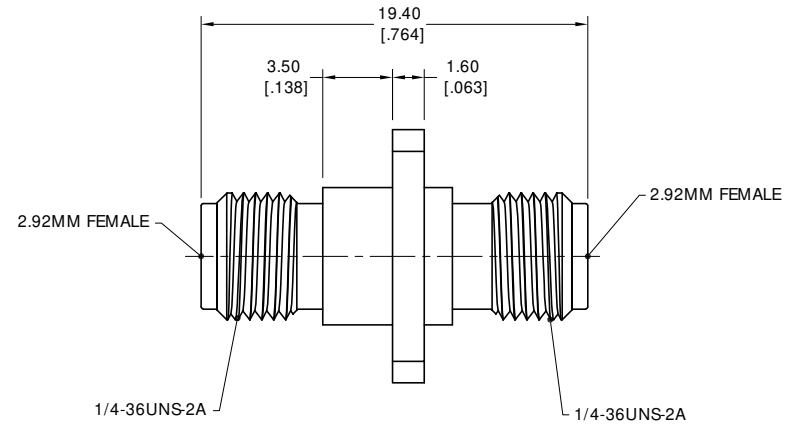
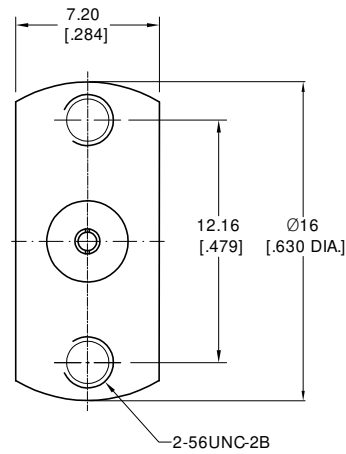
ELECTRICAL DATA:

- 1 IMPEDANCE: 50 Ω
- 2 FREQUENCY RANGE: DC~40 GHz
- 3 VSWR: 1.15 MAX.

ENVIRONMENTAL DATA:

- 1 TEMPERATURE RANGE: -55°C~+125°C
- 2 2011/65/EU (RoHS) AND 2015/863/(RoHS): COMPLIANT
- 3 1999/45/EC(REACH): COMPLIANT

REVISIONS			
REV.	DESCRIPTION	DATE	APPROVED
A	INITIAL RELEASE	12/01/20	J QU



RECOMMENDED MOUNTING HOLE

DRAWN	W. YANG	DATE	12/01/20
CHECKED	X. B. YANG	DATE	12/01/20
APPROVED	J QU	DATE	12/01/20
UNLESS OTHERWISE SPECIFIED DIMENSIONS ARE IN MILLIMETERS, DIMENSIONS IN [] ARE IN INCHES FOR CUSTOMER REFERENCE ONLY UNLESS OTHERWISE SPECIFIED TOLERANCE ARE:		THESE DRAWINGS AND SPECIFICATIONS ARE THE PROPERTY OF ANOISON ELECTRONICS LTD AND SHOULD NOT BE USED WITHOUT WRITTEN PERMISSION COPYRIGHT © 2020 ANOISON ELECTRONICS LTD	
.XX	±0.13 [.005"]		
.X	±0.20 [.008"]		
X	±0.50 [.019"]		
.X°	±1°		
X°	±2°		

TITLE PRECISION ADAPTER 2.92MM FEMALE TO 2.92MM FEMALE, 2 HOLE FLANGE			
VIEW		PART NO. PA2929FC	
		SIZE A3	SCALE 2.5:1
		SHEET 1/1	REV. A