

MATERIAL & FINISH:

- 1 BODY: STAINLESS STEEL, PASSIVATED
- 2 CENTER CONTACT: BERYLLIUM COPPER ALLOY, GOLD PLATED
- 3 INSULATOR: PEI

ENVIRONMENTAL DATA:

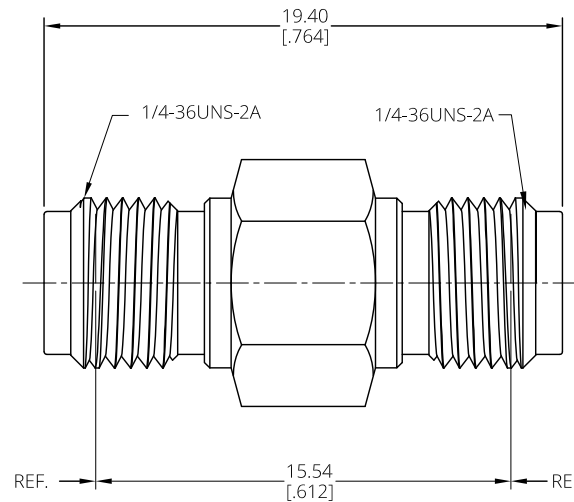
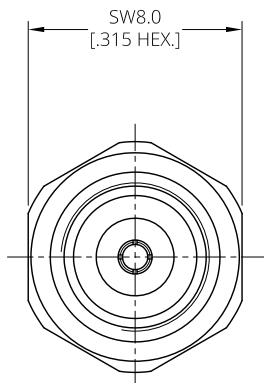
- 1 TEMPERATURE RANGE: -55°C~+125°C
- 2 2011/65/EU(ROHS) AND 2015/863/(ROHS): COMPLIANT
- 3 907/2006/EC(REACH): COMPLIANT

ELECTRICAL DATA:

- 1 IMPEDANCE: 50 Ω
- 2 FREQUENCY RANGE: DC~40 GHz
- 3 VSWR: 1.20 MAX.
- 4 INSERTION LOSS: ≤ 0.20 dB

REVISIONS

REV.	DESCRIPTION	DATE	APPROVED
A	INITIAL RELEASE	05/17/17	J. Q
B	ADD INSERTION LOSS	09/15/17	J. Q
C	ADAPTOR SHAPE CHANGED	05/10/25	J. Q



DRAWN	Y. H	DATE	05/10/25
CHECKED	L. Y	DATE	05/10/25
APPROVED	J. Q	DATE	05/10/25
UNLESS OTHERWISE SPECIFIED DIMENSIONS ARE IN MILLIMETERS, DIMENSIONS IN [] ARE IN INCHES FOR CUSTOMER REFERENCE ONLY UNLESS OTHERWISE SPECIFIED TOLERANCE ARE:		THESE DRAWINGS AND SPECIFICATIONS ARE THE PROPERTY OF ANOISON ELECTRONICS LTD AND SHOULD NOT BE USED WITHOUT WRITTEN PERMISSION COPYRIGHT © 2025 ANOISON ELECTRONICS LTD	
.XX	±0.13 [.005"]		
.X	±0.20 [.008"]		
X	±0.50 [.019"]		
X°	±1°		
X°	±2°		



TITLE PRECISION ADAPTER 2.92MM FEMALE TO 2.92MM FEMALE			
VIEW	PART NO. PA2929C		
	SIZE A3	SCALE 5:1	SHEET 1/1
		REV. C	