

MATERIAL & FINISH:

1. BODY: STAINLESS STEEL, PASSIVATED
2. CENTER CONTACT: BERYLLIUM COPPER ALLOY, GOLD PLATED
3. FASTENING NUT: STAINLESS STEEL, PASSIVATED
4. WASHER: PHOSPHOR BRONZE
5. INSULATOR: MPP0/PEI

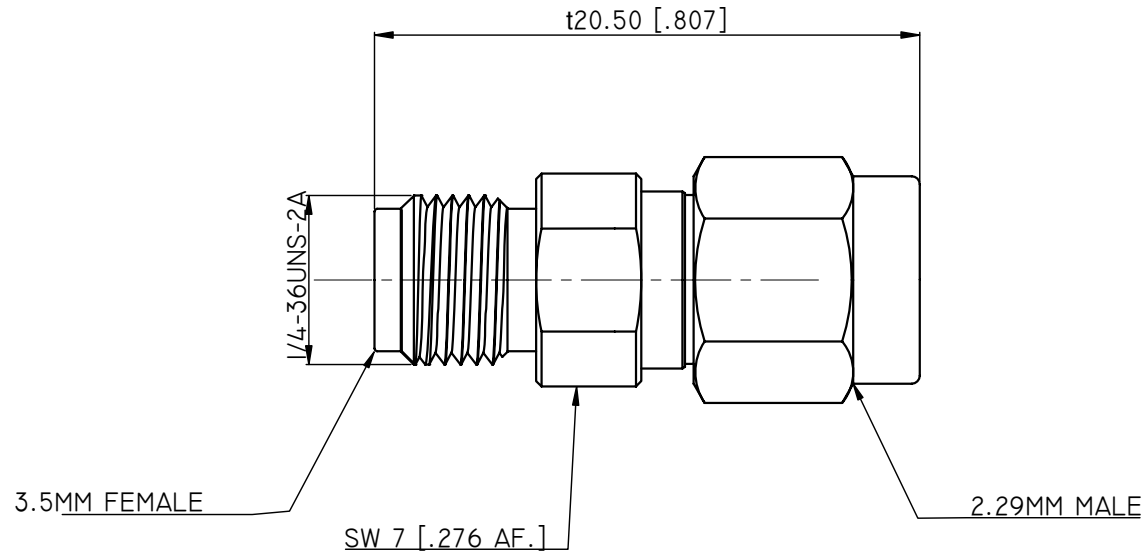
ENVIRONMENTAL DATA:

1. TEMPERATURE RANGE: -55°C~+125°C
2. 2002/95/EC (RoHS): COMPLIANT

ELECTRICAL SPECIFICATIONS:

1. IMPEDANCE: 50 Ω
2. FREQUENCY RANGE: DC~33GHz
3. VSWR: 1.15 MAX

REVISIONS			
REV.	DESCRIPTION	DATE	APPROVED
A	INITIAL RELEASE	05/29/15	J. QU



DRAWN L. YANG CHECKED X. B. YANG APPROVED J. QU	DATE 05/29/15 DATE 05/29/15 DATE 05/29/15	
UNLESS OTHERWISE SPECIFIED DIMENSIONS ARE IN MILLIMETERS, DIMENSIONS IN [] ARE IN INCHES FOR CUSTOMER REFERENCE ONLY UNLESS OTHERWISE SPECIFIED TOLERANCE ARE: .XX ±0.13 [.005" .X ±0.20 [.008" X ±0.50 [.019" .X° ±1° X° ±2°		
THESE DRAWINGS AND SPECIFICATIONS ARE THE PROPERTY OF ANOISON ELECTRONICS LTD AND SHOULD NOT BE USED WITHOUT WRITTEN PERMISSION COPYRIGHT © 2015 ANOISON		PART NO. PA2925B
VIEW 	SIZE A3	SCALE 5:1
		SHEET 1/1
		REV. A