

MATERIAL & FINISH:

- 1 BODY: STAINLESS STEEL, PASSIVATED
- 2 CENTER CONTACT: BERYLLIUM COPPER ALLOY, GOLD PLATED
- 3 COUPLING NUT: STAINLESS STEEL, PASSIVATED
- 4 WASHER: PHOSPHOR BRONZE
- 5 INSULATOR: PEI

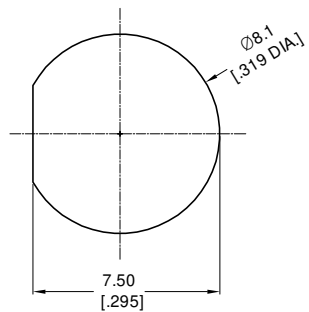
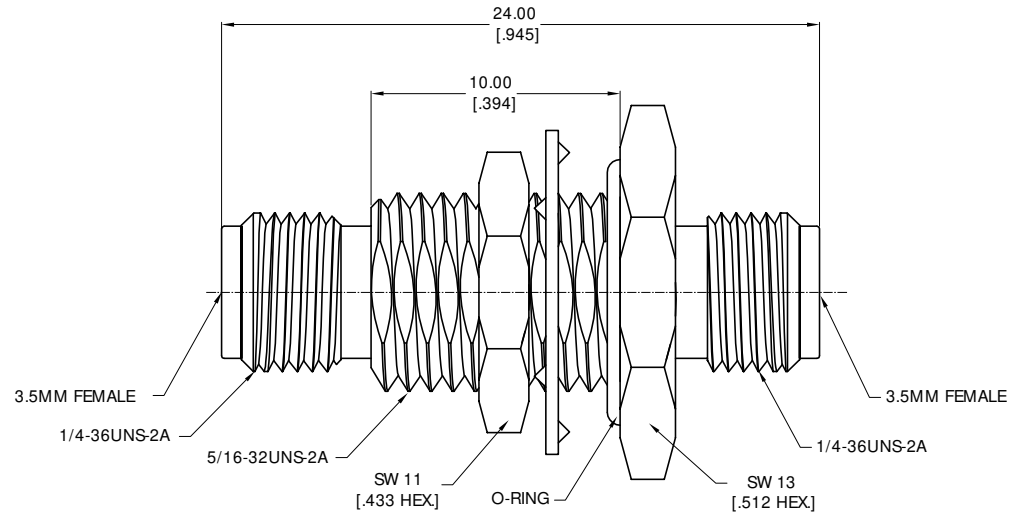
ELECTRICAL DATA:

- 1 IMPEDANCE: 50 Ω
- 2 FREQUENCY RANGE: DC~33 GHz
- 3 VSWR: 1.15 MAX.

ENVIRONMENTAL DATA:

- 1 TEMPERATURE RANGE: -55 °C~+125 °C
- 2 2011/65/EU (RoHS) AND 2015/863/(RoHS): COMPLIANT
- 3 1999/45/EC (REACH): COMPLIANT

| REVISIONS | | | |
|-----------|-----------------------|----------|----------|
| REV. | DESCRIPTION | DATE | APPROVED |
| A | INITIAL RELEASE | 05/05/14 | J QU |
| B | CHANGED P/N | 05/29/15 | J QU |
| C | CHANGED DRAWING FRAME | 03/18/22 | J QU |



RECOMMENDED MOUNTING HOLE

| | | | |
|---|---------------|--|----------|
| DRAWN | P. CHEN | DATE | 03/18/22 |
| CHECKED | X. B. YANG | DATE | 03/18/22 |
| APPROVED | J QU | DATE | 03/18/22 |
| UNLESS OTHERWISE SPECIFIED DIMENSIONS ARE IN MILLIMETERS, DIMENSIONS IN [] ARE IN INCHES FOR CUSTOMER REFERENCE ONLY UNLESS OTHERWISE SPECIFIED TOLERANCE ARE: | | THESE DRAWINGS AND SPECIFICATIONS ARE THE PROPERTY OF ANOISON ELECTRONICS LTD AND SHOULD NOT BE USED WITHOUT WRITTEN PERMISSION COPYRIGHT © 2022 ANOISON ELECTRONICS LTD | |
| .XX | ±0.13 [.005"] | | |
| .X | ±0.20 [.008"] | | |
| X | ±0.50 [.019"] | | |
| .X° | ±1° | | |
| X° | ±2° | | |



| | | | |
|--|-------|----------|------|
| TITLE | | | |
| PRECISION ADAPTER 3.5MM FEMALE BULKHEAD TO 3.5MM FEMALE | | | |
| VIEW | | PART NO. | |
| | | PA2525EA | |
| SIZE | SCALE | SHEET | REV. |
| A3 | 5:1 | 1/1 | C |