

MATERIAL & FINISH:

1. BODY: STAINLESS STEEL, PASSIVATED
2. CENTER CONTACT: BERYLLIUM COPPER ALLOY, GOLD PLATED
3. FASTENING NUT: STAINLESS STEEL, PASSIVATED
4. WASHER: PHOSPHOR BRONZE
5. INSULATOR: MPPO/PEI

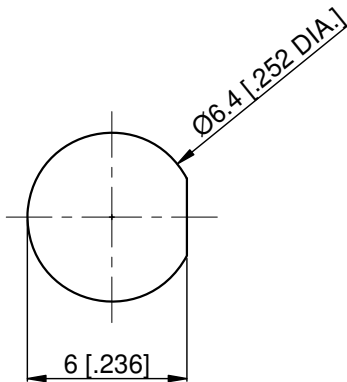
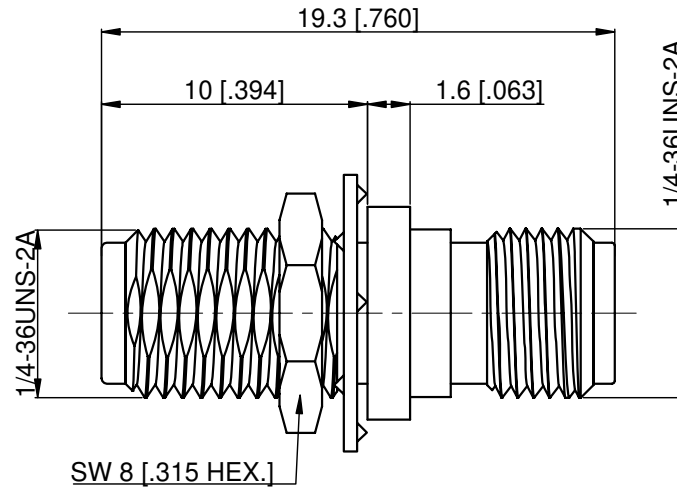
ENVIRONMENTAL DATA:

1. TEMPERATURE RANGE: -55°C~+125°C
2. 2002/95/EC (RoHS): COMPLIANT

ELECTRICAL SPECIFICATIONS:

1. IMPEDANCE: 50 Ω
2. FREQUENCY RANGE: DC~33GHZ
3. VSWR: 1.15 MAX

REVISIONS			
REV.	DESCRIPTION	DATE	APPROVED
A	INITIAL RELEASE	05/05/14	J. QU
B	CHANGED P/N	05/29/15	J. QU



RECOMMENDED MOUNTING HOLE

DRAWN L. YANG DATE 05/29/15							
CHECKED X. B. YANG DATE 05/29/15							
APPROVED J. QU DATE 05/29/15							
UNLESS OTHERWISE SPECIFIED DIMENSIONS ARE IN MILLIMETERS, DIMENSIONS IN [] ARE IN INCHES FOR CUSTOMER REFERENCE ONLY UNLESS OTHERWISE SPECIFIED TOLERANCE ARE: .XX ±0.13 [.005"] .X ±0.20 [.008"] X ±0.50 [.019"] .X° ±1° X° ±2°		THESE DRAWINGS AND SPECIFICATIONS ARE THE PROPERTY OF ANOISON ELECTRONICS LTD AND SHOULD NOT BE USED WITHOUT WRITTEN PERMISSION COPYRIGHT © 2015 ANOISON					
TITLE PRECISION ADAPTER, 3.5MM FEMALE BULKHEAD TO 3.5MM FEMALE		VIEW 	PART NO. PA2525E	SIZE A3	SCALE 5:1	SHEET 1/1	REV. B