

REVISIONS			
REV.	DESCRIPTION	DATE	APPROVED
A	INITIAL RELEASE	01/30/13	J. QU
B	CHANGED P/N	05/28/15	J. QU

MATERIAL & FINISH:

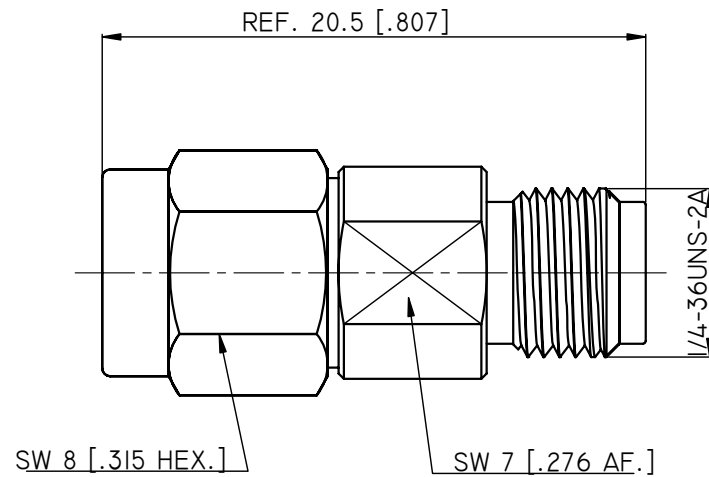
1. BODY: STAINLESS STEEL, PASSIVATED
2. CENTER CONTACT: BERYLLIUM COPPER ALLOY, GOLD PLATED
3. COUPLING NUT: STAINLESS STEEL, PASSIVATED
4. INSULATOR: PEI



ENVIRONMENTAL DATA:

1. TEMPERATURE RANGE: -55°C~+125°C
2. 2011/65/EU (RoHS): COMPLIANT

ELECTRICAL SPECIFICATIONS:

1. IMPEDANCE: 50 Ω
2. FREQUENCY RANGE: DC~33GHZ
3. VSWR: 1.15 MAX



DRAWN L. YANG	DATE 05/28/15		
CHECKED X. B. YANG	DATE 05/28/15		
APPROVED J. QU	DATE 05/28/15		
UNLESS OTHERWISE SPECIFIED DIMENSIONS ARE IN MILLIMETERS, DIMENSIONS IN [] ARE IN INCHES FOR CUSTOMER REFERENCE ONLY UNLESS OTHERWISE SPECIFIED TOLERANCE ARE: .XX ±0.13 [.005"] .X ±0.20 [.008"] X ±0.50 [.019"] .X° ±1° X° ±2°		THESE DRAWINGS AND SPECIFICATIONS ARE THE PROPERTY OF ANOISON ELECTRONICS LTD AND SHOULD NOT BE USED WITHOUT WRITTEN PERMISSION COPYRIGHT © 2015 ANOISON ELECTRONICS LTD	
		TITLE PRECISION ADAPTER 3.5MM MALE TO 3.5MM FEMALE	
		VIEW 	PART NO. PA2525B
	SIZE A3	SCALE 5:1	SHEET 1/1
		REV. B	