

4

3

2

1

MATERIAL & FINISH:

- 1. BODY: STAINLESS STEEL, PASSIVATED
- 2. CENTER CONTACT: BERYLLIUM COPPER ALLOY, GOLD PLATED
- 3. OUTER CONTACT: BERYLLIUM COPPER ALLOY, GOLD PLATED
- 4. INSULATOR: PEI

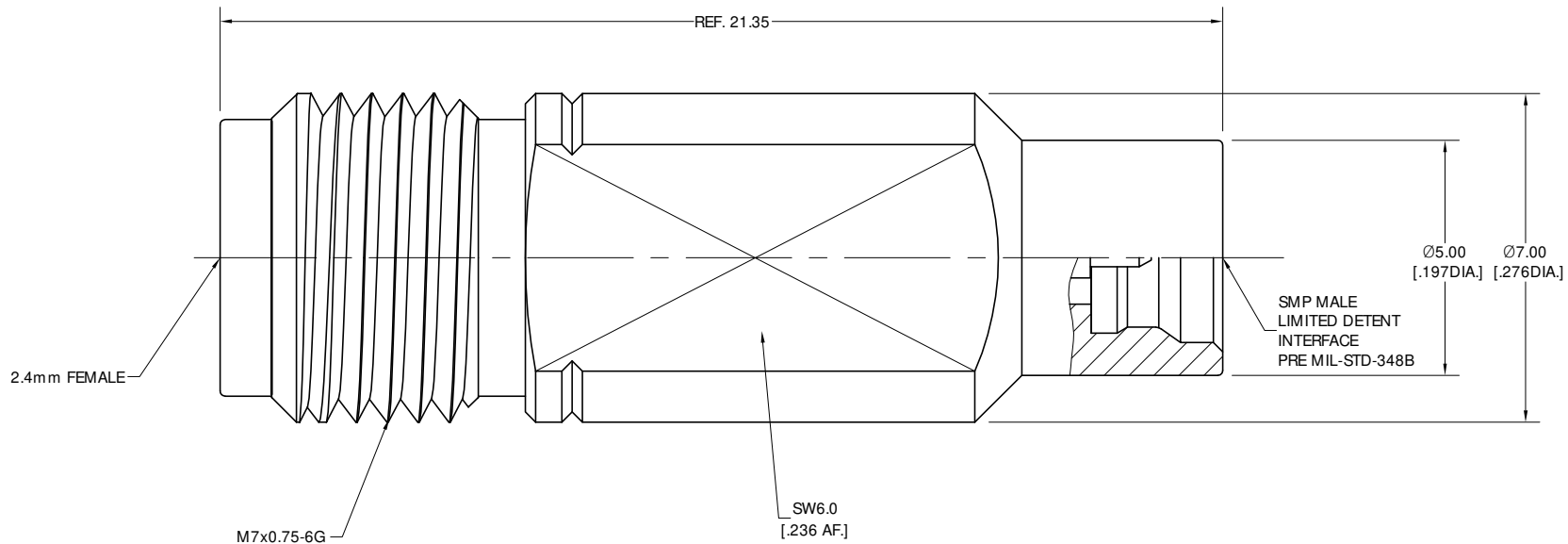
ELECTRICAL DATA:

- 1. IMPEDANCE: 50 OHMS
- 2. FREQUENCY RANGE: DC~40 GHz
- 3. VSWR: 1.20 MAX.

ENVIRONMENTAL DATA:

- 1. TEMPERATURE RANGE: -40 °C~+125 °C
- 2. 2011/65/EU (RoHS) AND 2015/863/(RoHS): COMPLIANT
- 3. 1999/45/EC (REACH): COMPLIANT

| REVISIONS | | | |
|-----------|-----------------|----------|----------|
| REV. | DESCRIPTION | DATE | APPROVED |
| A | INITIAL RELEASE | 09/17/25 | J Q |
| | | | |



| | | | |
|---|---------------|--|----------|
| DRAWN | P. C | DATE | 09/17/25 |
| CHECKED | L. Y | DATE | 09/17/25 |
| APPROVED | J Q | DATE | 09/17/25 |
| UNLESS OTHERWISE SPECIFIED DIMENSIONS ARE IN MILLIMETERS, DIMENSIONS IN [] ARE IN INCHES FOR CUSTOMER REFERENCE ONLY UNLESS OTHERWISE SPECIFIED TOLERANCE ARE: | | THESE DRAWINGS AND SPECIFICATIONS ARE THE PROPERTY OF ANOISON ELECTRONICS LTD AND SHOULD NOT BE USED WITHOUT WRITTEN PERMISSION COPYRIGHT © 2025 ANOISON ELECTRONICS LTD | |
| XX | ±0.13 [.005"] | | |
| X | ±0.20 [.008"] | | |
| X | ±0.50 [.019"] | | |
| X° | ±1° | | |
| X° | ±2° | | |



| | | | |
|---|----------|-------|------|
| TITLE | | | |
| PRECISION ADAPTER, 2.4mm FEMALE TO SMP MALE | | | |
| VIEW | PART NO. | | |
| | PA2293D | | |
| SIZE | SCALE | SHEET | REV. |
| A3 | 10:1 | 1/1 | A |

4

3

2

1