

4 3 2 1

REVISIONS			
REV.	DESCRIPTION	DATE	APPROVED
A	INITIAL RELEASE	09/02/19	J. Q
B	CHANGED DRAWINGS	09/16/25	J. Q

MATERIAL & FINISH:

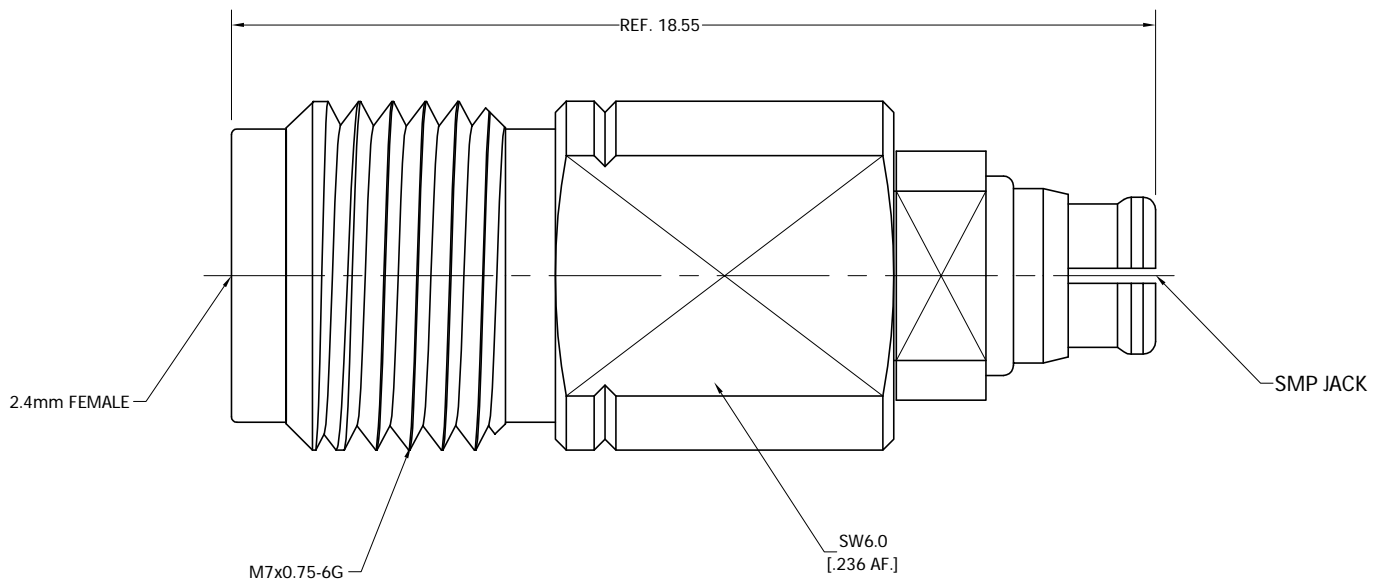
1. BODY: STAINLESS STEEL, PASSIVATED
2. CENTER CONTACT: BERYLLIUM COPPER ALLOY, GOLD PLATED
3. OUTER CONTACT: BERYLLIUM COPPER ALLOY, GOLD PLATED
4. INSULATOR: PEI

ELECTRICAL DATA:


1. IMPEDANCE: 50 OHMS
2. FREQUENCY RANGE: DC-40 GHz
3. VSWR: 1.25 MAX.

ENVIRONMENTAL DATA:

1. TEMPERATURE RANGE: -40°C--+125°C
2. 2011/65/EU(RoHS) AND 2015/863/(RoHS): COMPLIANT
3. 1999/45/EC(REACH): COMPLIANT

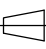



DRAWN	P. C	DATE	09/16/25
CHECKED	L. Y	DATE	09/16/25
APPROVED	J. Q	DATE	09/16/25
UNLESS OTHERWISE SPECIFIED DIMENSIONS ARE IN MILLIMETERS, DIMENSIONS IN [] ARE IN INCHES FOR CUSTOMER REFERENCE ONLY UNLESS OTHERWISE SPECIFIED TOLERANCE ARE:		THESE DRAWINGS AND SPECIFICATIONS ARE THE PROPERTY OF ANOISON ELECTRONICS LTD AND SHOULD NOT BE USED WITHOUT WRITTEN PERMISSION COPYRIGHT © 2025 ANOISON ELECTRONICS LTD	
XX	±0.13 [005"]		
X	±0.20 [008"]		
X	±0.50 [019"]		
X°	±1°		
X°	±2°		



ANOISON
...we create connection for technologies

TITLE
PRECISION ADAPTER,
2.4mm FEMALE TO SMP FEMALE (JACK)

VIEW  

PART NO.
PA2293C

SIZE A3	SCALE 10:1	SHEET 1/1	REV. B
-------------------	----------------------	---------------------	------------------

4 3 2 1