

4

3

2

1

MATERIAL & FINISH:

- 1 BODY: STAINLESS STEEL, PASSIVATED
- 2 CENTER CONTACT: BERYLLIUM COPPER ALLOY, GOLD PLATED
- 3 INSULATOR: PEI
- 4 COUPLING NUT: STAINLESS STEEL, PASSIVATED

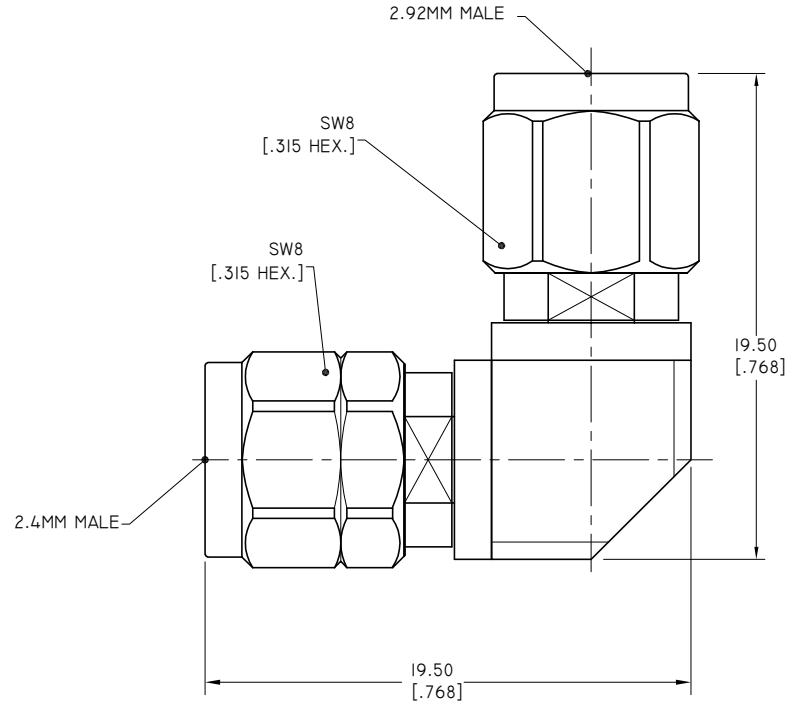
ELECTRICAL SPECIFICATIONS:

- 1 IMPEDANCE: 50 Ω
- 2 FREQUENCY RANGE: DC~40GHZ
- 3 VSWR: 1.25 MAX.

REVISIONS			
REV.	DESCRIPTION	DATE	APPROVED
A	INITIAL RELEASE	04/28/19	J. QU
B	CHANGED DRAWING	04/21/21	J. QU

ENVIRONMENTAL DATA:

- 1 TEMPERATURE RANGE: -55°C~+125°C
- 2 2011/65/EU (RoHS): COMPLIANT AND 2015/863/(RoHS): COMPLIANT
1999/45/EC(REACH): COMPLIANT



DRAWN	W. YANG	DATE	04/21/21
CHECKED	X. B. YANG	DATE	04/21/21
APPROVED	J. QU	DATE	04/21/21
UNLESS OTHERWISE SPECIFIED DIMENSIONS ARE IN MILLIMETERS, DIMENSIONS IN [] ARE IN INCHES FOR CUSTOMER REFERENCE ONLY UNLESS OTHERWISE SPECIFIED TOLERANCE ARE:		THESE DRAWINGS AND SPECIFICATIONS ARE THE PROPERTY OF ANOISON ELECTRONICS LTD AND SHOULD NOT BE USED WITHOUT WRITTEN PERMISSION COPYRIGHT © 2021 ANOISON ELECTRONICS LTD	
	.XX	±0.13 [0.005"]	
	.X	±0.20 [0.008"]	
	X	±0.50 [0.019"]	
	X°	±1°	
	X°	±2°	

TITLE
PRECISION ADAPTER, RIGHT ANGLE 2.4MM MALE TO 2.92MM MALE

PART NO.
PA2229J

VIEW		SIZE	A3	SCALE	5:1	SHEET	1/1	REV.	B
-------------	--	-------------	----	--------------	-----	--------------	-----	-------------	---

D

C

B

A

D

C

B

A

4

3

2

1