

4 3 2 1

MATERIAL & FINISH:

- 1 BODY: STAINLESS STEEL, PASSIVATED
- 2 COUPLING NUT: STAINLESS STEEL, PASSIVATED
- 3 CENTER CONTACT: BERYLLIUM COPPER ALLOY, GOLD PLATED
- 4 INSULATOR: PEI

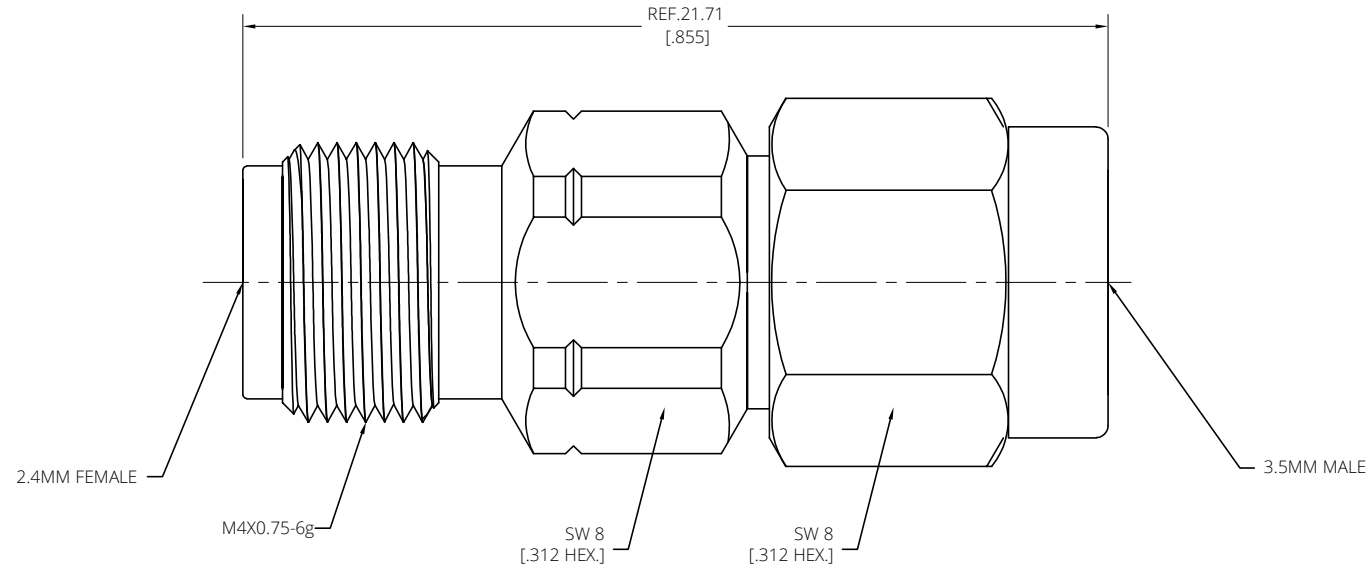
ELECTRICAL DATA:

- 1 IMPEDANCE: 50 Ω
- 2 FREQUENCY RANGE: DC~33 GHz
- 3 VSWR: 1.15 MAX.

ENVIRONMENTAL DATA:

- 1 TEMPERATURE RANGE: -55°C~+125°C
- 2 2011/65/EU(RoHS) AND 2015/863/(RoHS): COMPLIANT
- 3 1999/2006/EC(REACH): COMPLIANT

REVISIONS			
REV.	DESCRIPTION	DATE	APPROVED
A	INITIAL RELEASE	05/20/14	J. QU
B	CHANGE P/N	05/29/15	J. QU
C	DRAWING CHANGED	12/28/19	J. QU



DRAWN	X. YANG	DATE	12/28/19
CHECKED	L. YANG	DATE	12/28/19
APPROVED	J. QU	DATE	12/28/19
UNLESS OTHERWISE SPECIFIED DIMENSIONS ARE IN MILLIMETERS, DIMENSIONS IN [] ARE IN INCHES FOR CUSTOMER REFERENCE ONLY UNLESS OTHERWISE SPECIFIED TOLERANCE ARE:		THESE DRAWINGS AND SPECIFICATIONS ARE THE PROPERTY OF ANOISON ELECTRONICS LTD AND SHOULD NOT BE USED WITHOUT WRITTEN PERMISSION COPYRIGHT © 2019 ANOISON ELECTRONICS LTD	
XX	±0.13 [005"]		
X	±0.20 [008"]		
x	±0.50 [019"]		
XX°	±1°		
X°	±2°		

TITLE
PRECISION ADAPTER
2.4MM FEMALE TO 3.5MM MALE

VIEW

PART NO. PA2225D

SIZE A3	SCALE 5:1	SHEET 1/1	REV. C
-------------------	---------------------	---------------------	------------------

4 3 2 1