

4

3

2

1

**MATERIAL & FINISH:**

- 1 BODY: STAINLESS STEEL, PASSIVATED
- 2 CENTER CONTACT: BERYLLIUM COPPER ALLOY, GOLD PLATED
- 3 INSULATOR: PEI

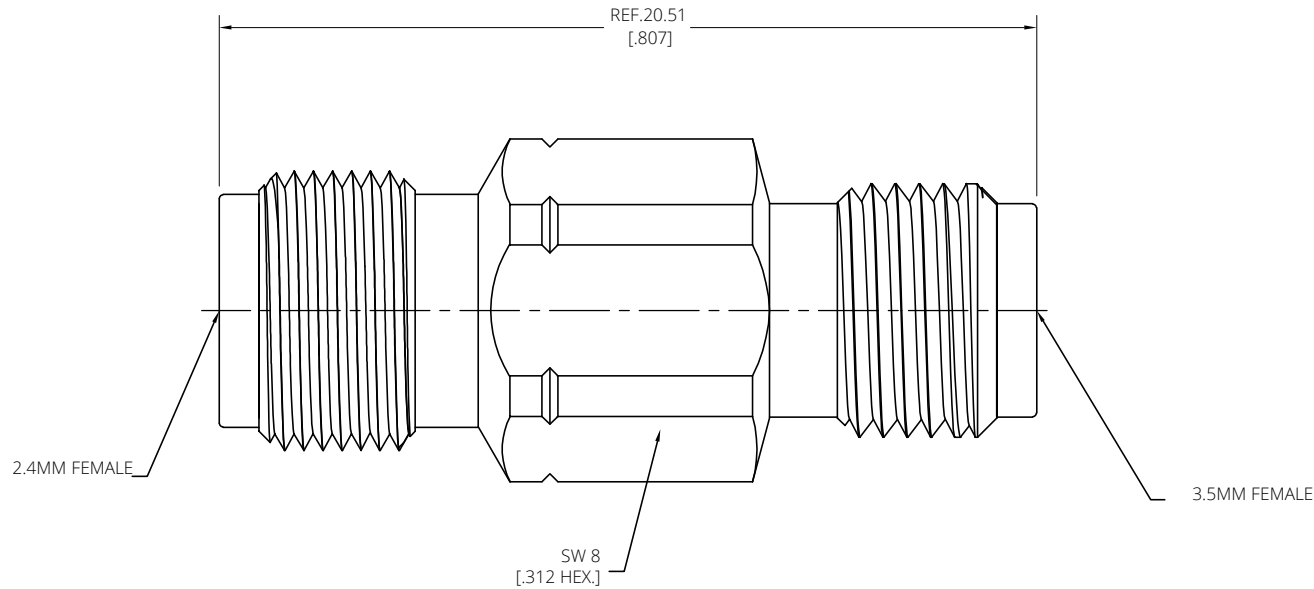
**ELECTRICAL DATA:**

- 1 IMPEDANCE: 50 Ω
- 2 FREQUENCY RANGE: DC~33 GHz
- 3 VSWR: 1.15 MAX.


**ENVIRONMENTAL DATA:**

- 1 TEMPERATURE RANGE: -55°C~+125°C
- 2 2011/65/EU(RoHS) AND 2015/863/(RoHS): COMPLIANT
- 3 1999/2006/EC(REACH): COMPLIANT

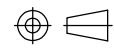
REVISIONS			
REV.	DESCRIPTION	DATE	APPROVED
A	INITIAL RELEASE	05/20/14	J. QU
B	CHANGE P/N	05/29/15	J. QU
C	DRAWING CHANGED	12/28/19	J. QU



DRAWN	X. YANG	DATE	12/28/19
CHECKED	L. YANG	DATE	12/28/19
APPROVED	J. QU	DATE	12/28/19
UNLESS OTHERWISE SPECIFIED DIMENSIONS ARE IN MILLIMETERS, DIMENSIONS IN [ ] ARE IN INCHES FOR CUSTOMER REFERENCE ONLY UNLESS OTHERWISE SPECIFIED TOLERANCE ARE:		THESE DRAWINGS AND SPECIFICATIONS ARE THE PROPERTY OF ANOISON ELECTRONICS LTD AND SHOULD NOT BE USED WITHOUT WRITTEN PERMISSION COPYRIGHT © 2019 ANOISON ELECTRONICS LTD	
	XX	±0.13	[.005"]
	X	±0.20	[.008"]
	X	±0.50	[.019"]
	X°	±1°	
	X°	±2°	



**TITLE**  
PRECISION ADAPTER  
2.4MM FEMALE TO 3.5MM FEMALE

**VIEW** 

**PART NO.** PA2225C

<b>SIZE</b> A3	<b>SCALE</b> 5:1	<b>SHEET</b> 1/1	<b>REV.</b> C
-------------------	---------------------	---------------------	------------------

D

C

B

A

D

C

B

A

4

3

2

1