

4 3 2 1

REVISIONS			
REV.	DESCRIPTION	DATE	APPROVED
A	INITIAL RELEASE	07/17/19	J. QU
B	DRAWING CHANGED	03/10/21	J. QU

**MATERIAL & FINISH:**

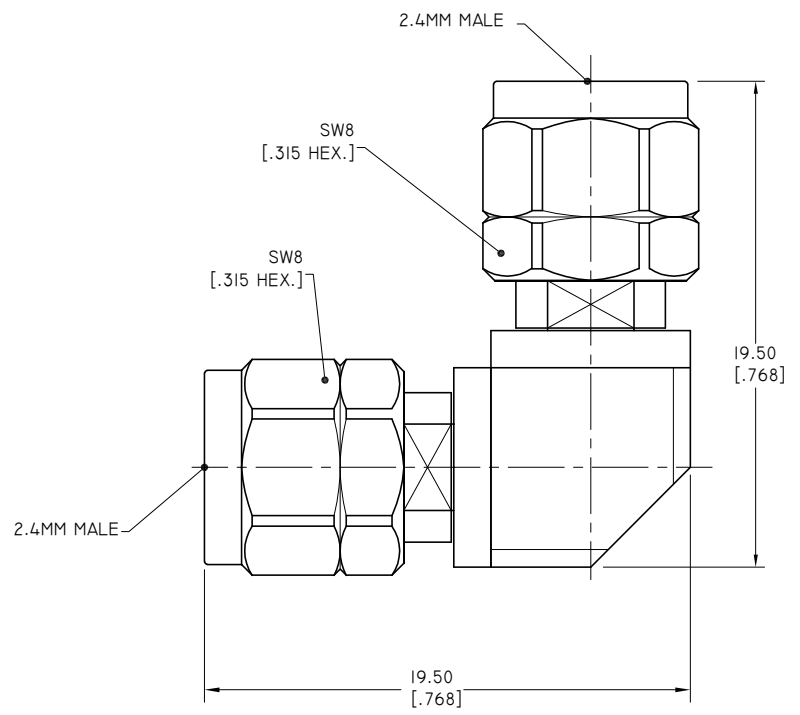
- 1 BODY: STAINLESS STEEL, PASSIVATED
- 2 CENTER CONTACT: BERYLLIUM COPPER ALLOY, GOLD PLATED
- 3 INSULATOR: PEI
- 4 COUPLING NUT: STAINLESS STEEL, PASSIVATED

**ELECTRICAL SPECIFICATIONS:**

- 1 IMPEDANCE: 50 Ω
- 2 FREQUENCY RANGE: DC-50GHZ
- 3 VSWR: 1.25 MAX.

**ENVIRONMENTAL DATA:**

- 1 TEMPERATURE RANGE: -55°C~+125°C
- 2 2011/65/EU (RoHS): COMPLIANT AND 2015/863/(RoHS): COMPLIANT
- 1999/45/EC(REACH): COMPLIANT



DRAWN	W. YANG	DATE	03/10/21
CHECKED	X. B. YANG	DATE	03/10/21
APPROVED	J. QU	DATE	03/10/21
UNLESS OTHERWISE SPECIFIED DIMENSIONS ARE IN MILLIMETERS, DIMENSIONS IN [ ] ARE IN INCHES FOR CUSTOMER REFERENCE ONLY UNLESS OTHERWISE SPECIFIED TOLERANCE ARE:		THESE DRAWINGS AND SPECIFICATIONS ARE THE PROPERTY OF ANOISON ELECTRONICS LTD AND SHOULD NOT BE USED WITHOUT WRITTEN PERMISSION COPYRIGHT © 2021 ANOISON ELECTRONICS LTD	
.XX	±0.13 [.005"]		
.X	±0.20 [.008"]		
X	±0.50 [.019"]		
X°	±1°		
X°	±2°		



TITLE			
PRECISION ADAPTER, RIGHT ANGLE 2.4MM MALE TO 2.4MM MALE			
VIEW	PART NO.		
	PA2222J		
SIZE	SCALE	SHEET	REV.
A3	5:1	1/1	B

4 3 2 1