

4

3

2

1

MATERIAL & FINISH:

- 1 BODY: STAINLESS STEEL, PASSIVATED
- 2 CENTER CONTACT: BERYLLIUM COPPER ALLOY, GOLD PLATED
- 3 INSULATOR: PEI

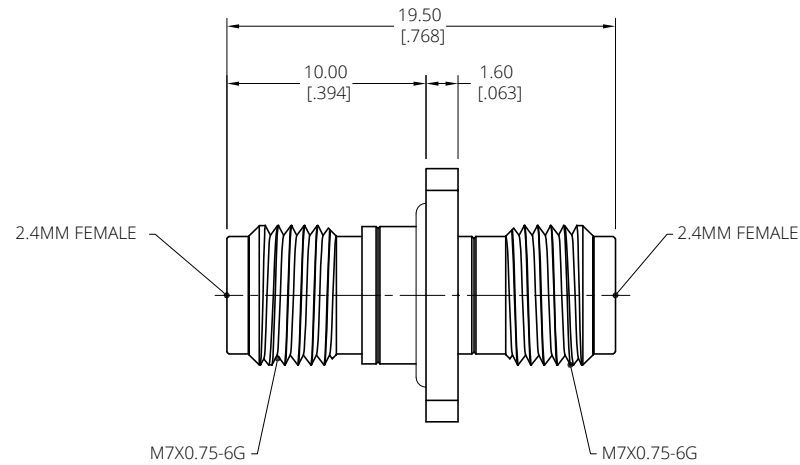
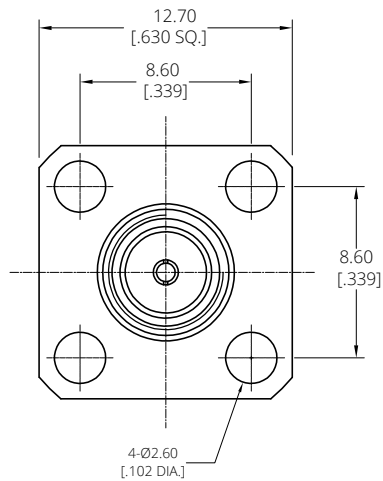
ELECTRICAL DATA:

- 1 IMPEDANCE: 50 Ω
- 2 FREQUENCY RANGE: DC~50 GHz
- 3 VSWR: 1.20 MAX.
- 4 INSERTION LOSS: ≤0.05/f (GHz) dB

ENVIRONMENTAL DATA:

- 1 TEMPERATURE RANGE: -55°C~+125°C
- 2 2011/65/EU(RoHS) AND 2015/863/(RoHS): COMPLIANT
- 3 1999/45/EC(REACH): COMPLIANT

REVISIONS			
REV.	DESCRIPTION	DATE	APPROVED
A	INITIAL RELEASE	02/06/23	J. Q



DRAWN	W. Y	DATE	02/06/23
CHECKED	X. Y	DATE	02/06/23
APPROVED	J. Q	DATE	02/06/23
UNLESS OTHERWISE SPECIFIED DIMENSIONS ARE IN MILLIMETERS, DIMENSIONS IN [] ARE IN INCHES FOR CUSTOMER REFERENCE ONLY UNLESS OTHERWISE SPECIFIED TOLERANCE ARE:		THESE DRAWINGS AND SPECIFICATIONS ARE THE PROPERTY OF ANOISON ELECTRONICS LTD AND SHOULD NOT BE USED WITHOUT WRITTEN PERMISSION COPYRIGHT © 2023 ANOISON ELECTRONICS LTD	
XX	±0.13 [0.005"]		
X	±0.20 [0.008"]		
x	±0.50 [0.019"]		
X°	±1°		
x°	±2°		

TITLE
PRECISION ADAPTER
2.4MM FEMALE TO 2.4MM FEMALE, 4 HOLE FLANGE

VIEW

PART NO. PA2222FC

SIZE	SCALE	SHEET	REV.
A3	2.5:1	1/1	A

D

C

B

A

D

C

B

A

4

3

2

1