

MATERIAL & FINISH:

1. BODY: STAINLESS STEEL, PASSIVATED
2. CENTER CONTACT: BERYLLIUM COPPER ALLOY, GOLD PLATED
3. COUPLING NUT: STAINLESS STEEL, PASSIVATED
4. INSULATOR: PEI

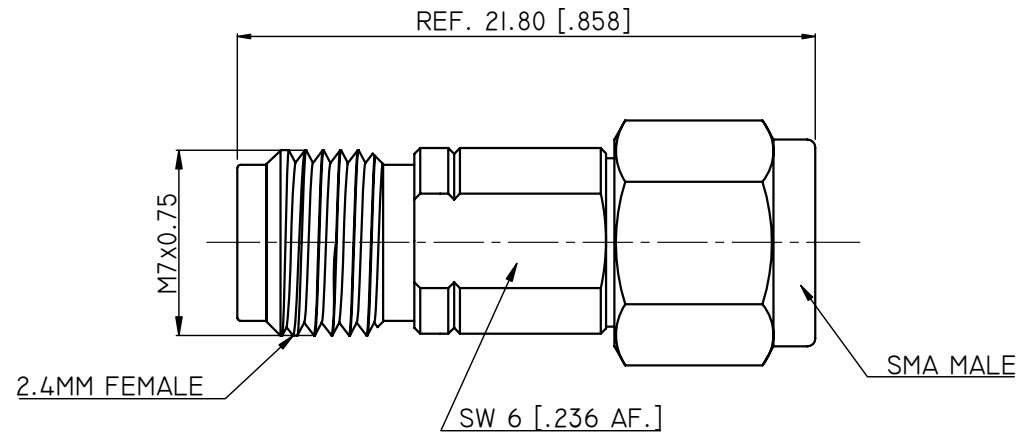
ENVIRONMENTAL DATA:

1. TEMPERATURE RANGE: -55°C~+125°C
2. 2011/65/EU (RoHS): COMPLIANT

ELECTRICAL SPECIFICATIONS:

1. IMPEDANCE: 50 Ω
2. FREQUENCY RANGE: DC~27GHZ
3. VSWR: 1.15 MAX

REVISIONS			
REV.	DESCRIPTION	DATE	APPROVED
A	INITIAL RELEASE	06/01/15	J. QU



DRAWN	L. YANG	DATE	06/01/15			
CHECKED	X. B. YANG	DATE	06/01/15			
APPROVED	J. QU	DATE	06/01/15			
UNLESS OTHERWISE SPECIFIED DIMENSIONS ARE IN MILLIMETERS, DIMENSIONS IN [] ARE IN INCHES FOR CUSTOMER REFERENCE ONLY UNLESS OTHERWISE SPECIFIED TOLERANCE ARE:		THESE DRAWINGS AND SPECIFICATIONS ARE THE PROPERTY OF ANOISON ELECTRONICS LTD AND SHOULD NOT BE USED WITHOUT WRITTEN PERMISSION COPYRIGHT © 2015 ANOISON ELECTRONICS LTD				
.XX ±0.13 [.005"]						
.X ±0.20 [.008"]						
X ±0.50 [.019"]						
.X° ±1°						
X° ±2°						
TITLE			PRECISION ADAPTER 2.4MM FEMALE TO SMA MALE			
VIEW			PART NO. PA222ID			
			SIZE	SCALE	SHEET	REV.
			A3	5:1	1/1	A