

MATERIAL & FINISH:

1. BODY: STAINLESS STEEL, PASSIVATED
2. CENTER CONTACT: BERYLLIUM COPPER ALLOY, GOLD PLATED
3. INSULATOR: PEI

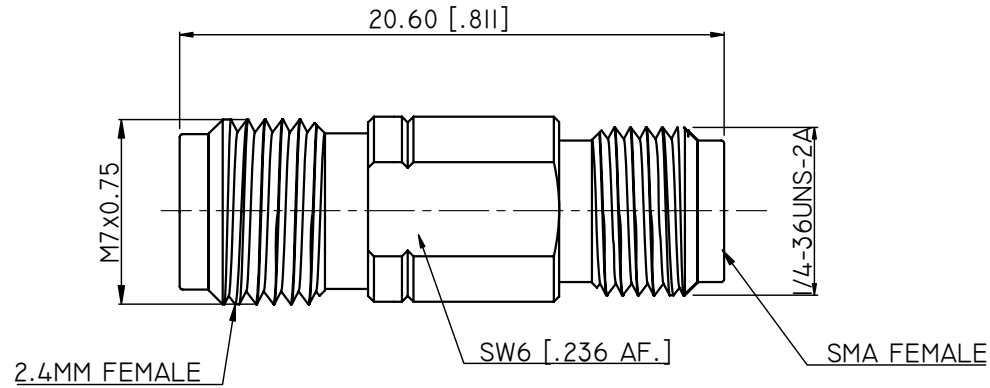
ENVIRONMENTAL DATA:

1. TEMPERATURE RANGE: -55°C~+125°C
2. 2011/65/EU (RoHS): COMPLIANT

ELECTRICAL SPECIFICATIONS:

1. IMPEDANCE: 50 Ω
2. FREQUENCY RANGE: DC~27GHZ
3. VSWR: 1.15 MAX

REVISIONS			
REV.	DESCRIPTION	DATE	APPROVED
A	INITIAL RELEASE	06/01/15	J. QU



DRAWN	L. YANG	DATE	06/01/15		
CHECKED	X. B. YANG	DATE	06/01/15		
APPROVED	J. QU	DATE	06/01/15		
UNLESS OTHERWISE SPECIFIED DIMENSIONS ARE IN MILLIMETERS, DIMENSIONS IN [] ARE IN INCHES FOR CUSTOMER REFERENCE ONLY UNLESS OTHERWISE SPECIFIED TOLERANCE ARE:		THESE DRAWINGS AND SPECIFICATIONS ARE THE PROPERTY OF ANOISON ELECTRONICS LTD AND SHOULD NOT BE USED WITHOUT WRITTEN PERMISSION COPYRIGHT © 2015 ANOISON ELECTRONICS LTD			
.XX	±0.13 [.005"]	<div style="display: flex; justify-content: space-between;"> <div> <p>TITLE</p> <p>PRECISION ADAPTER</p> <p>2.4MM FEMALE TO SMA FEMALE</p> </div> <div> <p>VIEW</p> </div> </div>			
.X	±0.20 [.008"]				
X	±0.50 [.019"]				
.X°	±1°				
X°	±2°				
PART NO.		PA2221C			
SIZE	A3	SCALE	5:1	SHEET	1/1
REV.	A				

