

MATERIAL & FINISH:

- 1 BODY: STAINLESS STEEL, PASSIVATED
- 2 CENTER CONTACT: BERYLLIUM COPPER ALLOY, GOLD PLATED
- 3 INSULATOR: PTFE

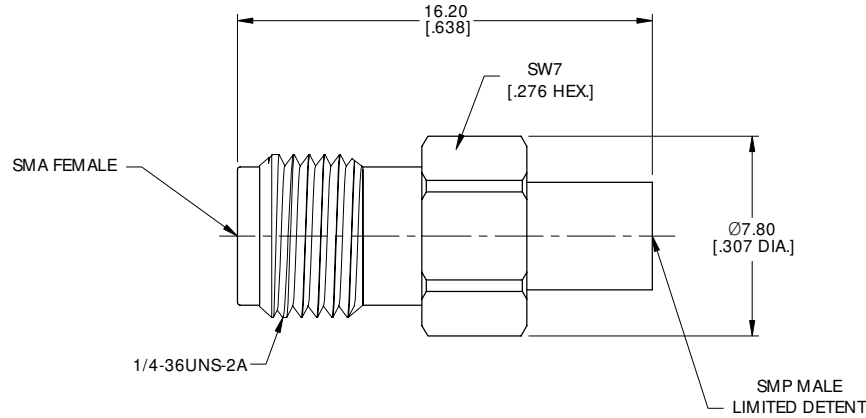
ELECTRICAL DATA:

- 1 IMPEDANCE: 50 Ω
- 2 FREQUENCY RANGE: DC~26.5 GHz
- 3 VSWR: 1.30 MAX.

ENVIRONMENTAL DATA:

- 1 TEMPERATURE RANGE: -55 °C~+125 °C
- 2 2011/65/EU(RoHS) AND 2015/863/(RoHS): COMPLIANT
- 3 1907/2006/EC(REACH): COMPLIANT

| REVISIONS | | | |
|-----------|-----------------|----------|----------|
| REV. | DESCRIPTION | DATE | APPROVED |
| A | INITIAL RELEASE | 08/18/22 | J QU |
| | | | |



| | | | |
|----------|------|------|----------|
| DRAWN | X. Y | DATE | 08/18/22 |
| CHECKED | W. Y | DATE | 08/18/22 |
| APPROVED | J Q | DATE | 08/18/22 |

UNLESS OTHERWISE SPECIFIED DIMENSIONS ARE IN MILLIMETERS, DIMENSIONS IN [] ARE IN INCHES FOR CUSTOMER REFERENCE ONLY UNLESS OTHERWISE SPECIFIED TOLERANCE ARE:

| | |
|-----|---------------|
| .XX | ±0.13 [.005"] |
| .X | ±0.20 [.008"] |
| X | ±0.50 [.019"] |
| .X° | ±1° |
| X° | ±2° |

THESE DRAWINGS AND SPECIFICATIONS ARE THE PROPERTY OF ANOISON ELECTRONICS LTD AND SHOULD NOT BE USED WITHOUT WRITTEN PERMISSION
 COPYRIGHT © 2022 ANOISON ELECTRONICS LTD



TITLE
 PRECISION ADAPTER, SMA FEMALE TO SMP MALE (LD)

| | | | | |
|------|---------------------|--------------|--------------|-----------|
| VIEW | PART NO. PA2193D | | | |
| | SIZE A3 | SCALE 5:1 | SHEET 1/1 | REV. A |