

4

3

2

1

MATERIAL & FINISH:

- 1 BODY: STAINLESS STEEL, PASSIVATED
- 2 CENTER CONTACT: BERYLLIUM COPPER, GOLD PLATED
- 3 INSULATOR: PTFE,PEI

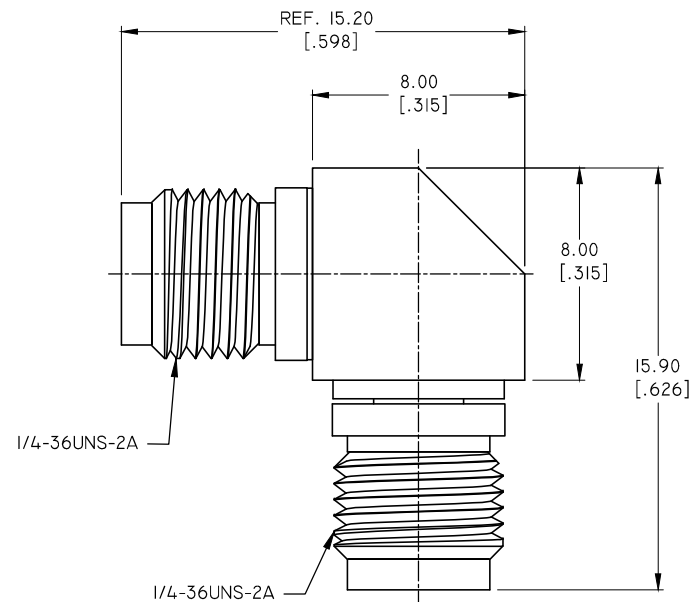
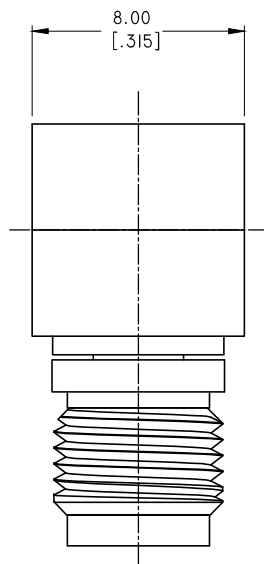
ELECTRICAL DATA:

- 1 IMPEDANCE: 50 Ω
- 2 FREQUENCY RANGE: DC~26.5 GHz
- 3 VSWR: 1.25 MAX. AT DC~26.5 GHz

ENVIRONMENTAL DATA:

- 1 TEMPERATURE RANGE: -55°C~+125°C
- 2 2011/65/EU (RoHS): COMPLIANT

REVISIONS			
REV.	DESCRIPTION	DATE	APPROVED
A	INITIAL RELEASE	08/07/13	J. QU
B	CHANGED P/N	05/29/15	J. QU
C	CHANGED DRAWING	06/22/18	J. QU



DRAWN	W. YANG	DATE	06/22/18
CHECKED	X. B. YANG	DATE	06/22/18
APPROVED	J. QU	DATE	06/22/18

UNLESS OTHERWISE SPECIFIED DIMENSIONS ARE IN MILLIMETERS. DIMENSIONS IN [] ARE IN INCHES FOR CUSTOMER REFERENCE ONLY UNLESS OTHERWISE SPECIFIED TOLERANCE ARE:

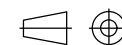
.XX	+0.13 [0.005"]
.X	+0.20 [0.008"]
X	+0.50 [0.019"]
.X°	±1°
X°	±2°

THESE DRAWINGS AND SPECIFICATIONS ARE THE PROPERTY OF ANOISON ELECTRONICS LTD AND SHOULD NOT BE USED WITHOUT WRITTEN PERMISSION
COPYRIGHT © 2018
ANOISON ELECTRONICS LTD



TITLE
PRECISION ADAPTER
RIGHT ANGLE SMA FEMALE TO SMA FEMALE

VIEW



PART NO.

PA2121L

SIZE
A3SCALE
5:1SHEET
1/1REV.
C

4

3

2

1