

1.0 MATERIAL & FINISH:

- 1.1 CENTER CONTACT: BERYLLIUM COPPER ALLOY, GOLD PLATED
- 1.2 INSULATOR: PTFE/PEI
- 1.3 BODY: STAINLESS STEEL, PASSIVATED
- 1.4 COUPLING NUT: STAINLESS STEEL, PASSIVATED

2.0 ENVIRONMENTAL DATA:

- 2.1 TEMPERATURE RANGE: -55°C~+125°C
- 2.2 2011/65/EU (RoHS): COMPLIANT

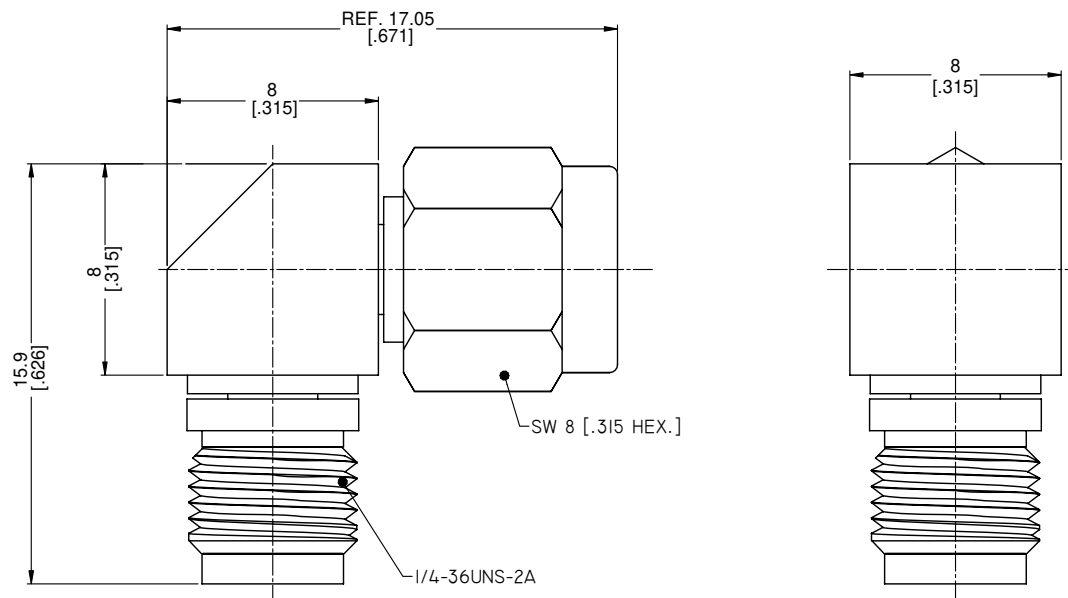
3.0 ELECTRICAL SPECIFICATIONS:

- 3.1 IMPEDANCE: 50 Ω
- 3.2 FREQUENCY RANGE: DC~27GHZ
- 3.3 VSWR: 1.25 MAX.

4.0 MECHANICAL SPECIFICATIONS:

- 4.1 TORQUE WRENCH: 5 IN.LBS

REVISIONS			
REV.	DESCRIPTION	DATE	APPROVED
A	INITIAL RELEASE	08/07/13	J. QU
B	CHANGED P/N	05/29/15	J. QU



DRAWN	L. YANG	DATE	05/29/15
CHECKED	X. B. YANG	DATE	05/29/15
APPROVED	J. QU	DATE	05/29/15



UNLESS OTHERWISE SPECIFIED DIMENSIONS ARE IN MILLIMETERS, DIMENSIONS IN [] ARE IN INCHES FOR CUSTOMER REFERENCE ONLY UNLESS OTHERWISE SPECIFIED TOLERANCE ARE:

.XX	+0.13 [.005"]
.X	+0.20 [.008"]
X	+0.50 [.019"]
.X°	±1°
X°	±2°

THESE DRAWINGS AND SPECIFICATIONS ARE THE PROPERTY OF ANOISON ELECTRONICS LTD AND SHOULD NOT BE USED WITHOUT WRITTEN PERMISSION
 COPYRIGHT © 2015
 ANOISON ELECTRONICS LTD

TITLE			
PRECISION ADAPTER RIGHT ANGLE SMA MALE TO SMA FEMALE			
VIEW	PART NO. PA212IK		
	SIZE	SCALE	SHEET
	A3	5:1	I/1
			REV. B