

**MATERIAL & FINISH:**

- 1 BODY: STAINLESS STEEL, PASSIVATED
- 2 CENTER CONTACT: BERYLLIUM COPPER ALLOY, GOLD PLATED
- 3 INSULATOR: PTFE & PEI
- 4 O-RING: SILICONNE RUBBER

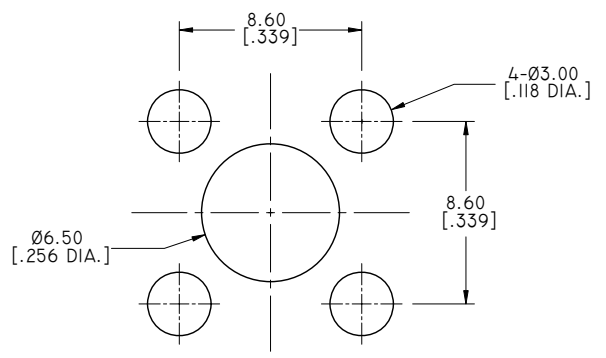
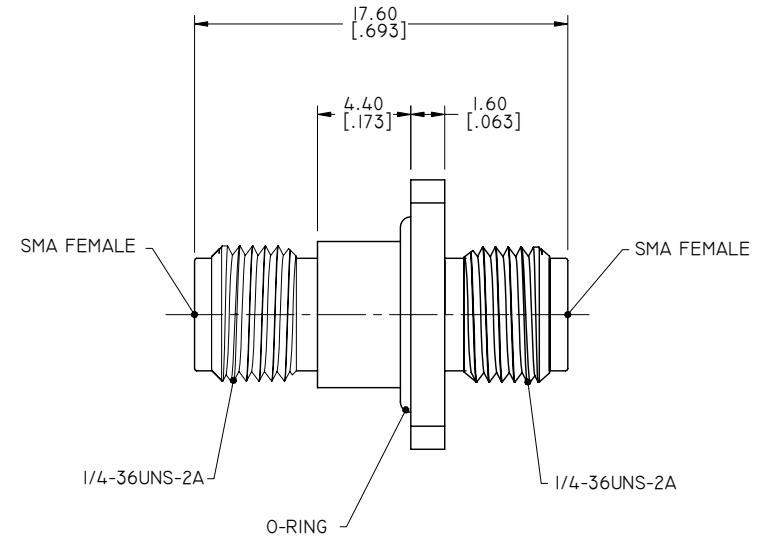
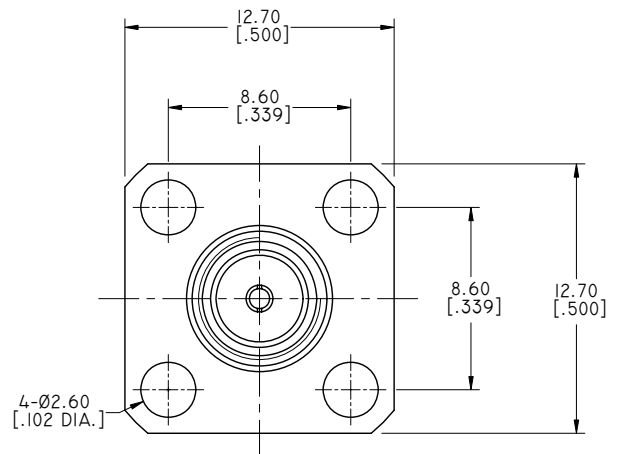
**ELECTRICAL DATA:**

- 1 IMPEDANCE: 50 Ω
- 2 FREQUENCY RANGE: DC~27 GHz
- 3 VSWR: 1.15 MAX.

**ENVIRONMENTAL DATA:**

- 1 TEMPERATURE RANGE: -55°C~+125°C
- 2 2011/65/EU (RoHS): COMPLIANT

REVISIONS			
REV.	DESCRIPTION	DATE	APPROVED
A	INITIAL RELEASE	05/05/14	J. QU
B	PART NO. CHANGED	05/29/15	J. QU



RECOMMENDED MOUNTING HOLE

DRAWN	L. YANG	DATE	05/29/15
CHECKED	X. B. YANG	DATE	05/29/15
APPROVED	J. QU	DATE	05/29/15
UNLESS OTHERWISE SPECIFIED DIMENSIONS ARE IN MILLIMETERS. DIMENSIONS IN [ ] ARE IN INCHES FOR CUSTOMER REFERENCE ONLY UNLESS OTHERWISE SPECIFIED TOLERANCE ARE:		THESE DRAWINGS AND SPECIFICATIONS ARE THE PROPERTY OF ANOISON ELECTRONICS LTD AND SHOULD NOT BE USED WITHOUT WRITTEN PERMISSION COPYRIGHT © 2015 ANOISON ELECTRONICS LTD	
.XX	±0.13 [ .005"		
.X	±0.20 [ .008"		
X	±0.50 [ .019"		
.X°	±1°		
X°	±2°		



TITLE			
PRECISION ADAPTER SMA FEMALE WATERPROOF TO SMA FEMALE, 4 HOLE FLANGE			
VIEW		PART NO. PA212IFA	
SIZE A3	SCALE 4:1	SHEET 1/1	REV. A