

4 3 2 1

MATERIAL & FINISH:

- 1 BODY: STAINLESS STEEL, PASSIVATED
- 2 CENTER CONTACT: BERYLLIUM COPPER ALLOY, GOLD PLATED
- 3 INSULATOR: PTFE & PEI

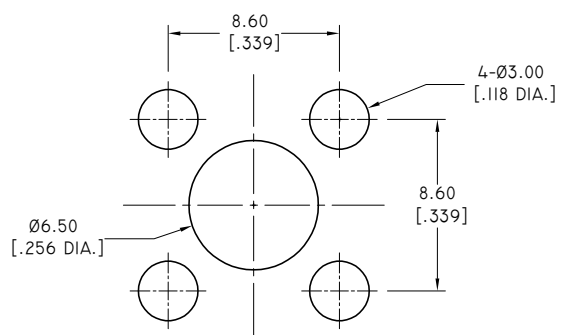
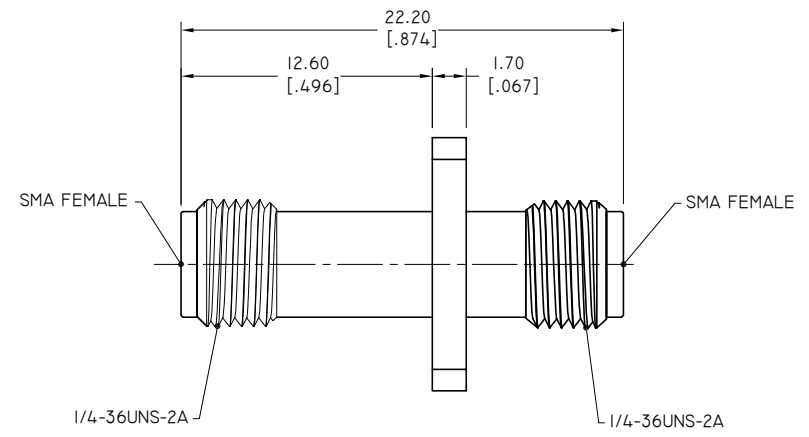
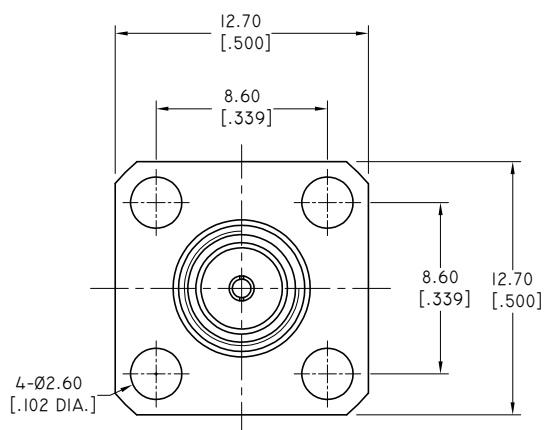
ENVIRONMENTAL DATA:

- 1 TEMPERATURE RANGE: -55°C~+125°C
- 2 2011/65/EU(RoHS) AND 2015/863/(RoHS): COMPLIANT
- 3 1999/45/EC(REACH): COMPLIANT
- 4 INTERFACE STANDARD: MIL-STD-34.8

ELECTRICAL DATA:

- 1 IMPEDANCE: 50 Ω
- 2 FREQUENCY RANGE: DC~27 GHz
- 3 VSWR: 1.15 MAX.
- 4 INSERTION LOSS: 0.15 DB MAX.

REVISIONS			
REV.	DESCRIPTION	DATE	APPROVED
A	INITIAL RELEASE	01/23/13	J. QU
B	PART NO. CHANGED	05/29/15	J. QU
C	ADDED INSERTION LOSS	12/03/19	J. QU
D	DRAWING CHANGED	06/07/21	J. QU



RECOMMENDED MOUNTING HOLE

DRAWN	L. YANG	DATE	06/07/21
CHECKED	X. B. YANG	DATE	06/07/21
APPROVED	J. QU	DATE	06/07/21
UNLESS OTHERWISE SPECIFIED DIMENSIONS ARE IN MILLIMETERS, DIMENSIONS IN [] ARE IN INCHES FOR CUSTOMER REFERENCE ONLY UNLESS OTHERWISE SPECIFIED TOLERANCE ARE:		THESE DRAWINGS AND SPECIFICATIONS ARE THE PROPERTY OF ANOISON ELECTRONICS LTD AND SHOULD NOT BE USED WITHOUT WRITTEN PERMISSION COPYRIGHT © 2021 ANOISON ELECTRONICS LTD	
.XX	±0.13 [0.005"]		
.X	±0.20 [0.008"]		
X	±0.50 [0.019"]		
X°	±1°		
X"	±2°		

TITLE
PRECISION ADAPTER
SMA FEMALE WATERPROOF TO SMA FEMALE, 4 HOLE FLANGE

VIEW

PART NO. PA2121F

SIZE	SCALE	SHEET	REV.
A3	4:1	1/1	D

D
C
B
A

D
C
B
A

4 3 2 1