

4

3

2

1

## 1.0 MATERIAL &amp; FINISH:

- 1.1 BODY: STAINLESS STEEL, PASSIVATED  
 1.2 CENTER CONTACT: BERYLLIUM COPPER ALLOY, GOLD PLATED  
 1.3 COUPLING NUT: STAINLESS STEEL, PASSIVATED  
 1.4 INSULATOR: PTFE & PEI

## 2.0 ENVIRONMENTAL DATA:

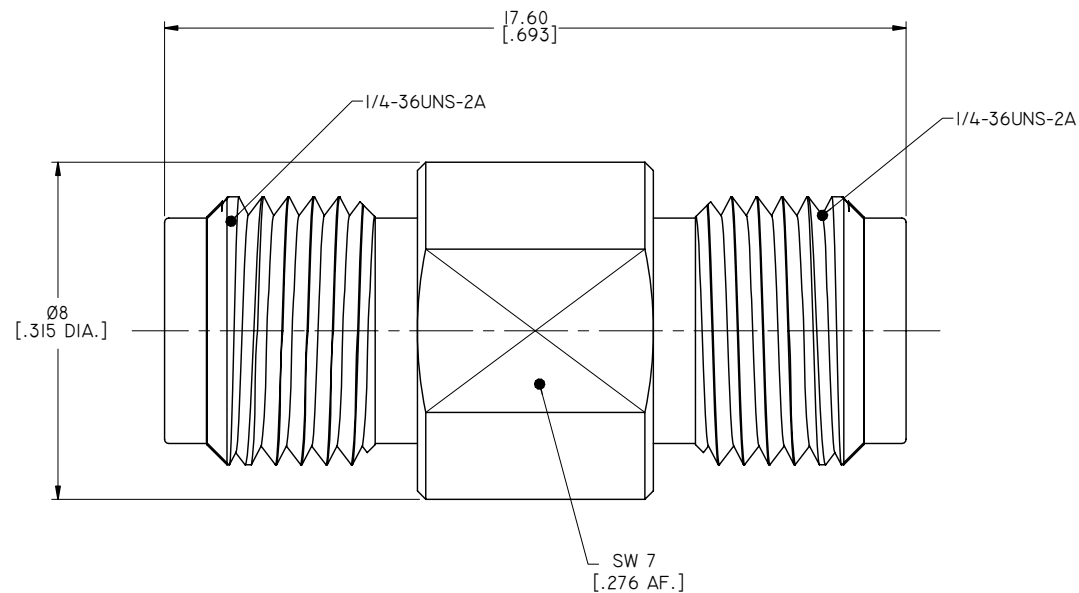
- 2.1 TEMPERATURE RANGE: -55°C~+125°C  
 2.2 2011/65/EU (RoHS): COMPLIANT

## 3.0 ELECTRICAL SPECIFICATIONS:

- 3.1 IMPEDANCE: 50 Ω  
 3.2 FREQUENCY RANGE: DC~27 GHz  
 3.3 VSWR: 1.15 MAX  
 3.4 INSERTION LOSS: ≤ 0.15 DB

## REVISIONS

REV.	DESCRIPTION	DATE	APPROVED
A	INITIAL RELEASE	03/13/14	J. QU
B	CHANGED P/N	05/29/15	J. QU
C	ADD INSERTION LOSS	09/15/17	J. QU



DRAWN	P. CHEN	DATE	09/15/17
CHECKED	X. B. YANG	DATE	09/15/17
APPROVED	J. QU	DATE	09/15/17

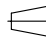

UNLESS OTHERWISE SPECIFIED DIMENSIONS ARE IN MILLIMETERS, DIMENSIONS IN [ ] ARE IN INCHES FOR CUSTOMER REFERENCE ONLY UNLESS OTHERWISE SPECIFIED TOLERANCE ARE:

.XX	±0.13 [0.005"]
.X	±0.20 [0.008"]
X	±0.50 [0.019"]
.X°	±1°
X°	±2°

THESE DRAWINGS AND SPECIFICATIONS ARE THE PROPERTY OF ANOISON ELECTRONICS LTD AND SHOULD NOT BE USED WITHOUT WRITTEN PERMISSION COPYRIGHT © 2015 ANOISON ELECTRONICS LTD



TITLE  
PRECISION ADAPTER, SMA FEMALE TO SMA FEMALE

VIEW	PART NO. PA2121C		
 	SIZE A3	SCALE 8:1	SHEET 1/1
		REV. C	

4

3

2

1