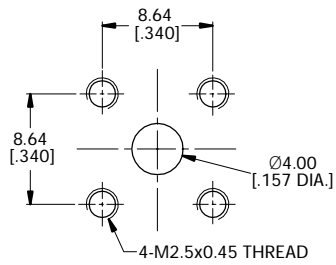
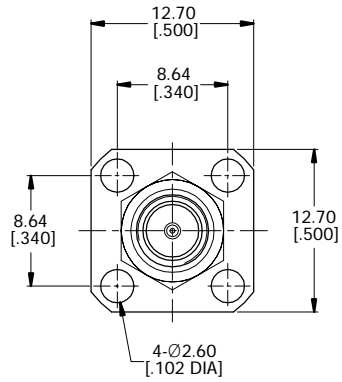
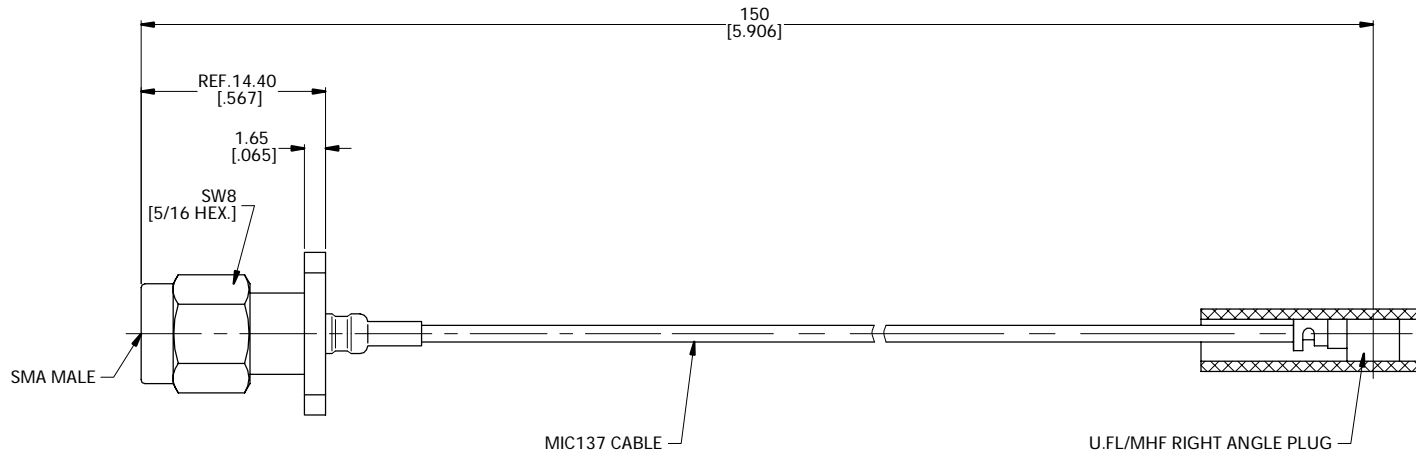


ELECTRICAL DATA:

- 1 IMPEDANCE: 50 Ω
- 2 FREQUENCY RANGE: DC-6 GHz

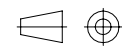


RECOMMENDE MOUNTING HOLE



TITLE
CABLE ASSEMBLY, SMA STRAIGHT 4 HOLE FLANGE MOUNT MALE
TO U.FL/MHF RIGHT ANGLE PLUG, MIC1.37 CABLE, 150MM

VIEW



PART NO.

MIC137-SMAM4HF-MHF-15CM

SIZE	SCALE	SHEET	REV.
A3	4:1	1/1	A

NOTES:

- 1. UNLESS OTHERWISE SPECIFIED ALL DIMENSIONS ARE NOMINAL.
- 2. ALL SPECIFICATIONS ARE SUBJECT TO CHANGED WITHOUT NOTICE AT ANY TIME.
- 3. DIMENSIONS ARE IN MILLIMETERS, DIMENSIONS IN [] ARE IN INCHES
- 4. LENGTH TOLERANCE IS ±2%.