

4

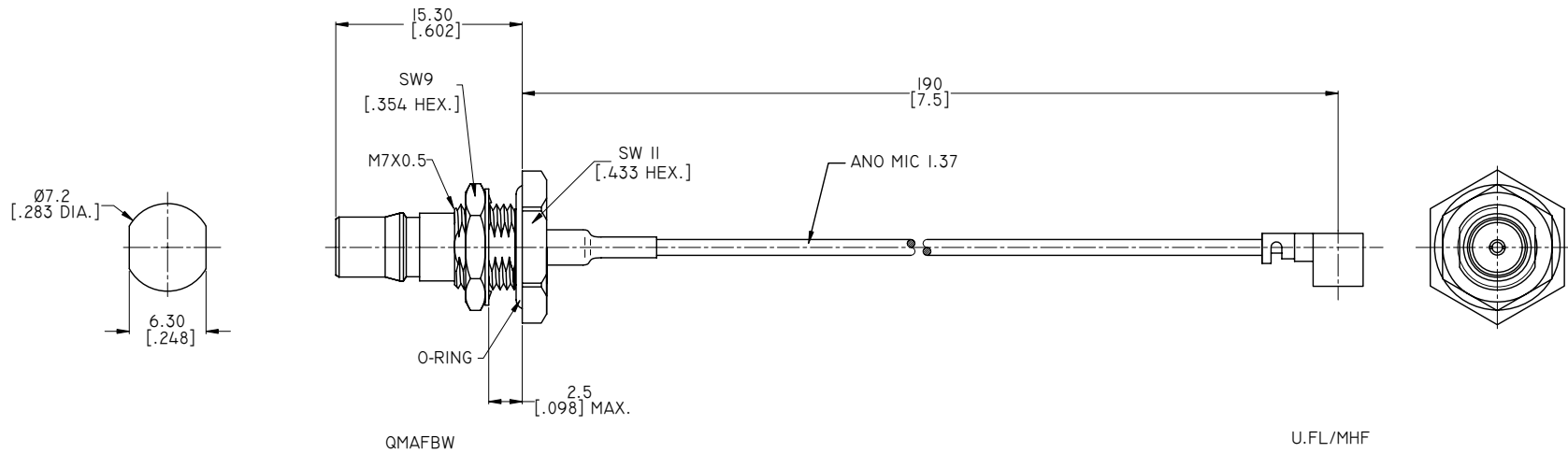
3

2

1



ELECTRICAL DATA:

- 1 IMPEDANCE: 50 OHMS
- 2 FREQUENCY RANGE: DC~2.5 GHz
- 3 VSWR: 1.30 MAX.
- 4 INSERTION LOSS: 0.80DB MAX.



TITLE  
 CABLE ASSEMBLY, QMA STRIGHT WATERPROOF  
 BULKHEAD FEMALE TO U.FL/MHF R/A PLUG, ANO  
 MIC 1.37 CABLE, 7.5 INCHS

NOTES:  
 1. UNLESS OTHERWISE SPECIFIED ALL DIMENSIONS ARE NOMINAL.  
 2. ALL SPECIFICATIONS ARE SUBJECT TO CHANGED WITHOUT NOTICE AT ANY TIME.  
 3. DIMENSIONS ARE IN MILLIMETERS, DIMENSIONS IN [ ] ARE IN INCHES  
 4. LENGTH TOLERANCE IS ±1.5%.

VIEW	PART NO.		
 	MIC137-QMAFBW-UFL-7.5		
SIZE	SCALE	SHEET	REV.
A3	2.5:1	1/1	A

4

3

2

1