

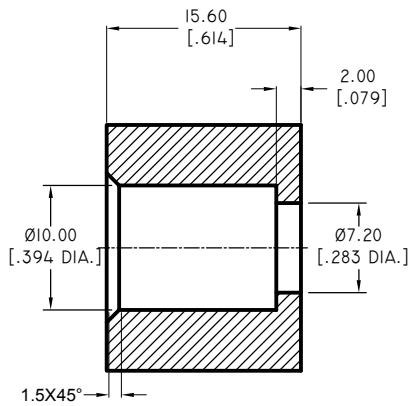
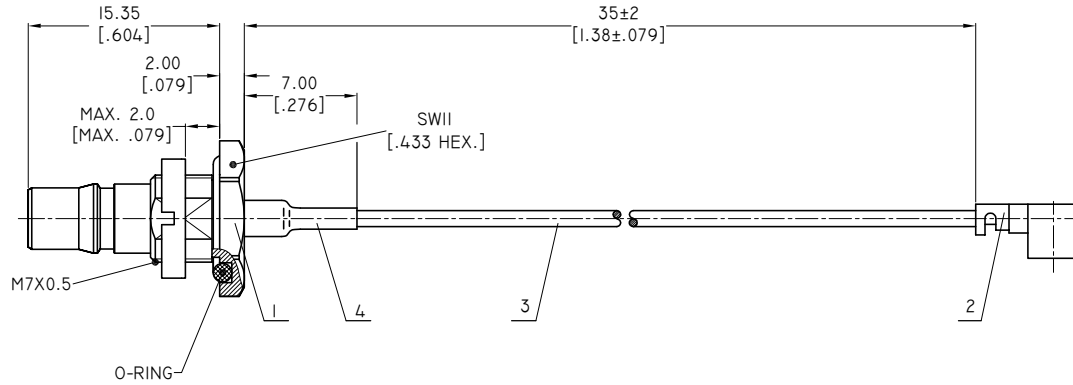
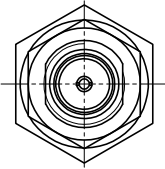
ELECTRICAL SPECIFICATIONS:

1. IMPEDANCE: 50 Ω
2. WITHSTAND VOLTAGE: 100 V
3. FREQUENCY RANGE: DC-1000 MHZ
4. VSWR: 1.30 MAX.
5. INSERTION LOSS: 0.4 DB MAX.

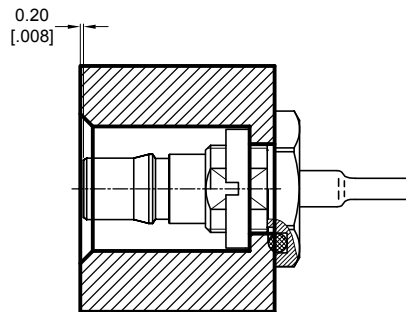
ENVIRONMENTAL SPECIFICATIONS :

1. TEMPERATURE RANGE: -40°C~+85°C
2. 2011/65/EU (RoHS): COMPLIANT
3. DURABILITY: 5000 CYCLES (ONLY QMA CONNECTOR)
4. IP RATING (UNMATED) : IP66 (ONLY QMA CONNECTOR)
5. IP RATING (MATED) : IP67 (ONLY QMA CONNECTOR)
6. WEIGHT: 2.95g

QMA BEVEL POSITION RELATIVE TO U.FL CONTACT DIRECTION



MOUNTING HOLE



REVISIONS			
REV.	DESCRIPTION	DATE	APPROVED
A	INITIAL RELEASE	12/21/20	J. QU

4	ANO 8.687.101	ADHESIVE HEAT-SHRINKABLE TUBE	1
3	ANO MIC 1.37	ANO MIC 1.37 CABLE(OD=1.37MM)	1
2	20351-111R-37	MHF RIGHT ANGLE PLUG FOR 1.37MM CABLE	1
1	ANO 2612-1034-1	QMA STRAIGHT WATERPROOF BULKHEAD FEMALE SOLDER FOR 1.13MM/1.32MM/1.37MM CABLE	1
SEQUENCE NUMBER	PART NO.	DESCRIPTION	QTY

DRAWN	W. YANG	DATE	02/18/21
CHECKED	L. YANG	DATE	02/18/21
APPROVED	J. QU	DATE	02/18/21

UNLESS OTHERWISE SPECIFIED DIMENSIONS ARE IN MILLIMETERS, DIMENSIONS IN [] ARE IN INCHES FOR CUSTOMER REFERENCE ONLY UNLESS OTHERWISE SPECIFIED TOLERANCE ARE:

.XX	±0.13 [.005"]
.X	±0.20 [.008"]
X°	±0.50 [.019"]
X"	±1°
X°	±2°

THESE DRAWINGS AND SPECIFICATIONS ARE THE PROPERTY OF ANOISON ELECTRONICS LTD AND SHOULD NOT BE USED WITHOUT WRITTEN PERMISSION COPYRIGHT © 2021 ANOISON ELECTRONICS LTD

ANOISON

TITLE
RF PIGTAIL, QMA STRAIGHT WATERPROOF BULKHEAD FEMALE TO U.FL/MHF RIGHT ANGLE PLUG, ANO MIC1.37 CABLE

VIEW

PART NO.
MIC137-QMAFBW-MHF-35MM

SIZE	SCALE	SHEET	REV.
A3	2.5:1	1/1	A