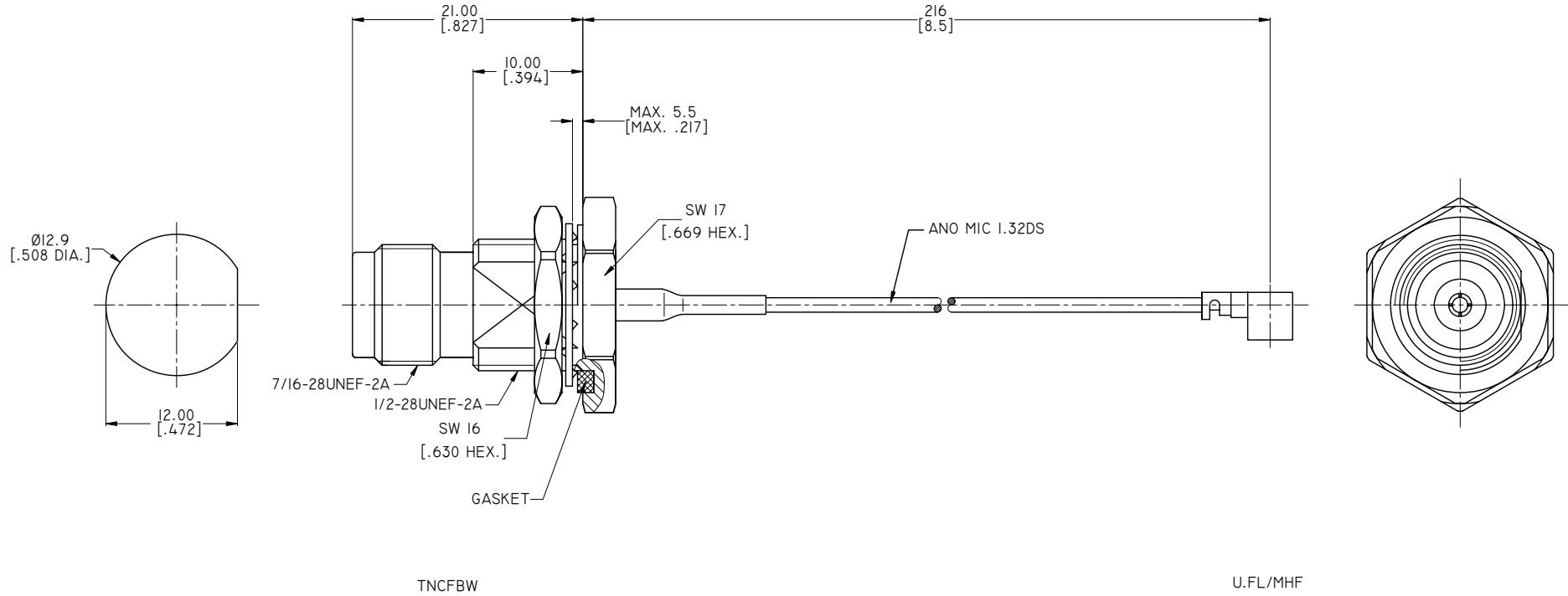


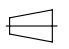

ELECTRICAL DATA:

- 1 IMPEDANCE: 50 OHMS
- 2 FREQUENCY RANGE: DC~3 GHZ



TITLE
 CABLE ASSEMBLY, TNC STRIGHT WATERPROOF
 BULKHEAD FEMALE TO U.FL/MHF R/A PLUG, ANO
 MIC 1.32DS (DOUBLE SHIELDED) CABLE, 8.5 INCHS

- NOTES:
- 1. UNLESS OTHERWISE SPECIFIED ALL DIMENSIONS ARE NOMINAL.
 - 2. ALL SPECIFICATIONS ARE SUBJECT TO CHANGED WITHOUT NOTICE AT ANY TIME.
 - 3. DIMENSIONS ARE IN MILLIMETERS, DIMENSIONS IN [] ARE IN INCHES
 - 4. LENGTH TOLERANCE IS ±1.5%.

VIEW  	PART NO. MICI32DS-TNCFBW-UFL-8.5			
	SIZE A3	SCALE 2.5:1	SHEET 1/1	REV. A