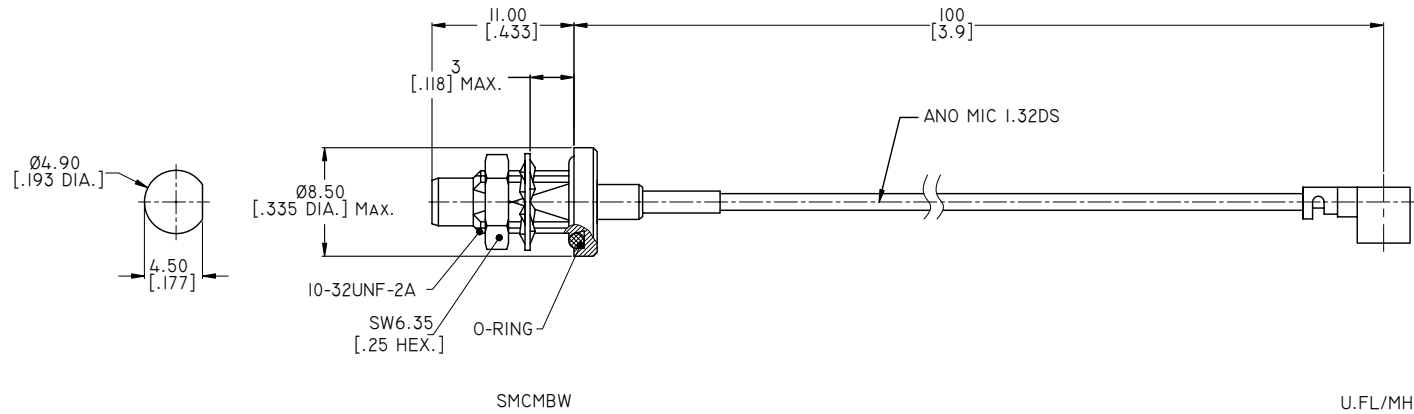


ELECTRICAL DATA:

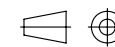
- 1 IMPEDANCE: 50 OHMS
- 2 FREQUENCY RANGE: DC-2.5 GHz
- 3 VSWR: 1.30 MAX.
- 4 INSERTION LOSS: 0.80 DB MAX.



TITLE
 CABLE ASSEMBLY, SMC STRIGHT WATERPROOF
 BULKHEAD MALE TO U.FL/MHF R/A PLUG, ANO
 MIC 1.32DS (DOUBLE SHIELDED) CABLE, 0.1 METERS

- NOTES:
 1. UNLESS OTHERWISE SPECIFIED ALL DIMENSIONS ARE NOMINAL.
 2. ALL SPECIFICATIONS ARE SUBJECT TO CHANGED WITHOUT NOTICE AT ANY TIME.
 3. DIMENSIONS ARE IN MILLINMETERS, DIMENSIONS IN [] ARE IN INCHES
 4. LENGTH TOLERANCE IS ±1.5%.

VIEW



PART NO. MIC132DS-SMCMBW-UFL-100MM			
SIZE A3	SCALE 2.5:1	SHEET 1/1	REV. A