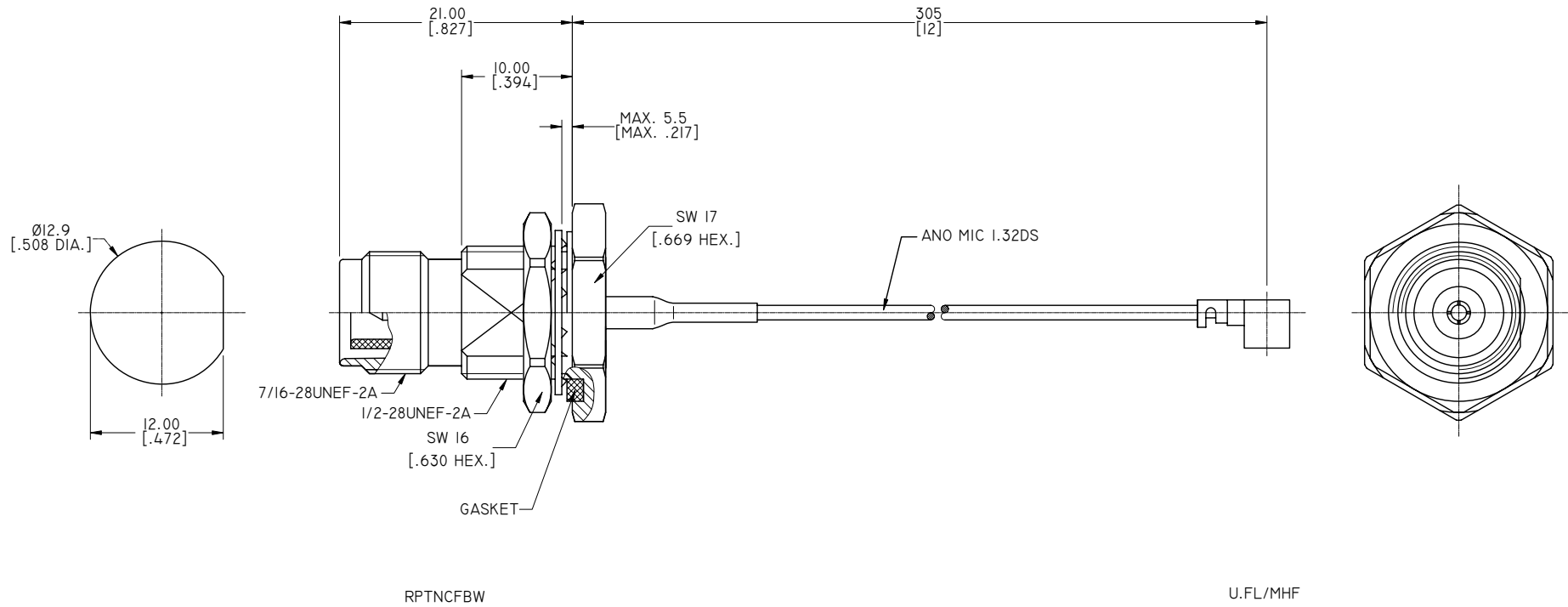


ELECTRICAL DATA:

- 1 IMPEDANCE: 50 OHMS
- 2 FREQUENCY RANGE: DC~2.5 GHZ



RPTNCFBW

U.FL/MHF



TITLE
CABLE ASSEMBLY, RPTNC STRIGHT WATERPROOF BULKHEAD FEMALE TO U.FL/MHF R/A PLUG, ANO MIC 1.32DS (DOUBLE SHIELDED) CABLE, 12 INCHS

- NOTES:
 1. UNLESS OTHERWISE SPECIFIED ALL DIMENSIONS ARE NOMINAL.
 2. ALL SPECIFICATIONS ARE SUBJECT TO CHANGED WITHOUT NOTICE AT ANY TIME.
 3. DIMENSIONS ARE IN MILLIMETERS, DIMENSIONS IN [] ARE IN INCHES
 4. LENGTH TOLERANCE IS ±1.5%.

VIEW	PART NO.		
	MIC132DS-RPTNCFBW-UFL-12		
SIZE	SCALE	SHEET	REV.
A3	2.5:1	1/1	A