

4

3

2

1

ELECTRICAL DATA:

- 1 IMPEDANCE: 50 OHMS
- 2 FREQUENCY RANGE: DC~3 GHZ

D

D

C

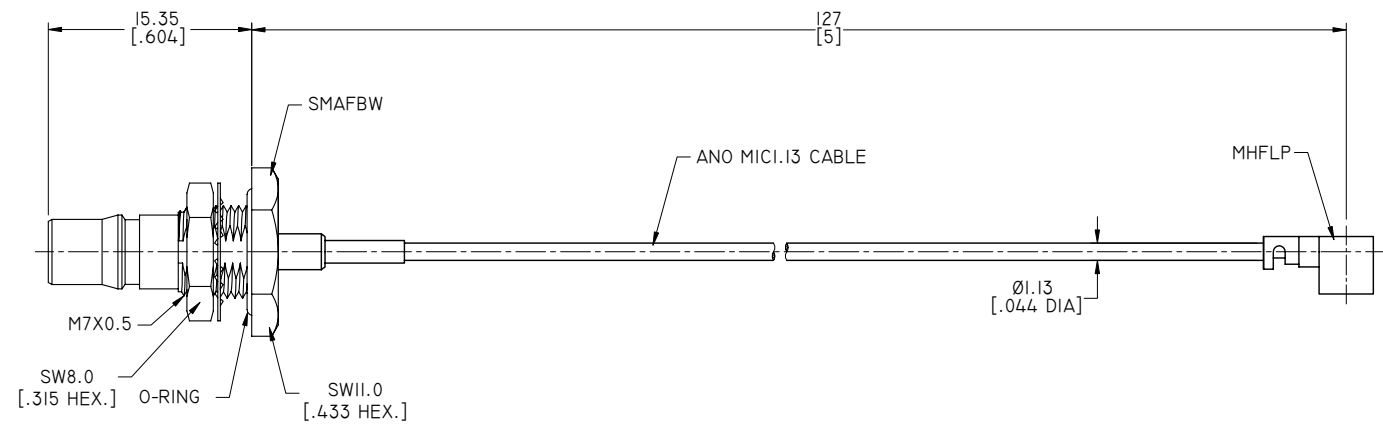
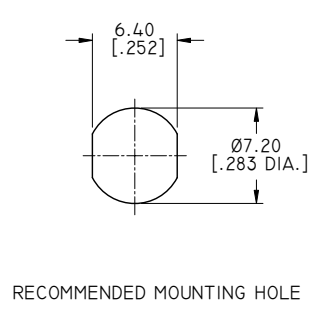
C

B

B

A

A



TITLE
 CABLE ASSEMBLY, QMA STRAIGHT FEMALE BULKHEAD
 WATERPROOF TO MHF RIGHT ANGLE PLUG
 ANO MICI.13 CABLE, 5 INCHES

NOTES:
 1. UNLESS OTHERWISE SPECIFIED ALL DIMENSIONS ARE NOMINAL.
 2. ALL SPECIFICATIONS ARE SUBJECT TO CHANGED WITHOUT NOTICE AT ANY TIME.
 3. DIMENSIONS ARE IN MILLIMETERS, DIMENSIONS IN [] ARE IN INCHES
 4. LENGTH TOLERANCE IS ±2%.

VIEW	PART NO.		
	MICI13-QMAFBW-MHFLP-5		
SIZE	SCALE	SHEET	REV.
A3	2.5:1	I/1	A

4

3

2

1