

4

3

2

1

**ELECTRICAL DATA:**

- 1 IMPEDANCE: 50 OHMS
- 2 FREQUENCY RANGE: DC-3GHZ
- 3 VSWR: 1.35 MAX.
- 4 INSERTION LOSS: 2.60 DB MAX.

D

D

C

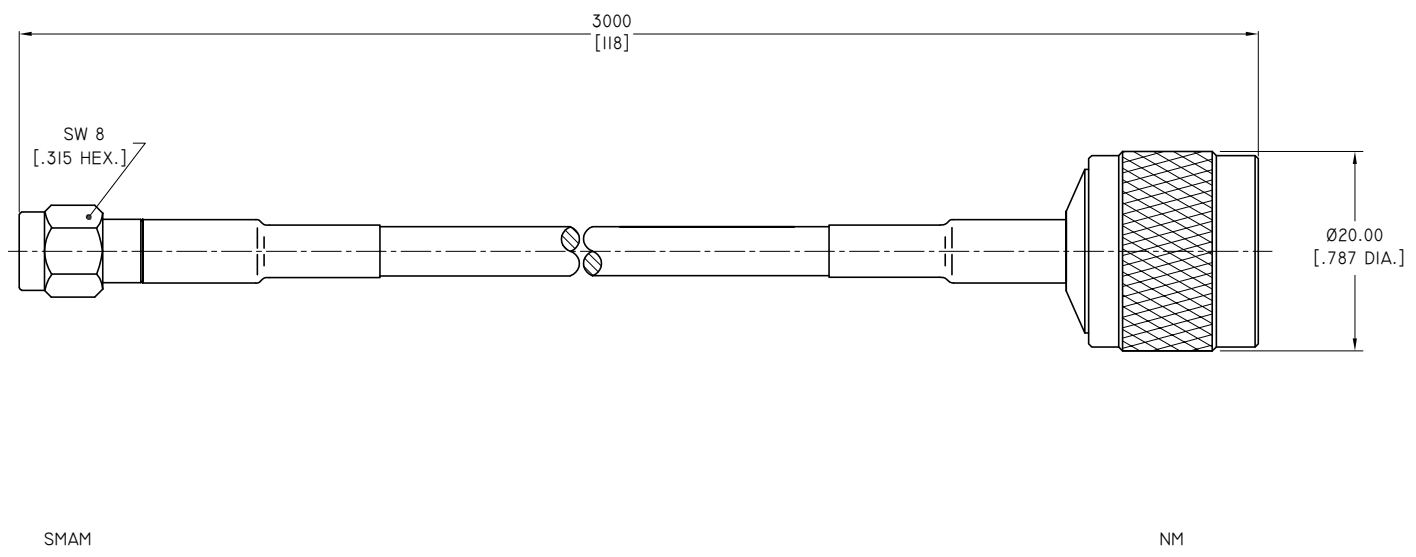
C

B

B

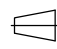

A

A



TITLE  
CABLE ASSEMBLY, SMA STRAIGHT MALE TO N STRAIGHT MALE, LL200 CABLE, 3 METERS

NOTES:  
1. UNLESS OTHERWISE SPECIFIED ALL DIMENSIONS ARE NOMINAL.  
2. ALL SPECIFICATIONS ARE SUBJECT TO CHANGED WITHOUT NOTICE AT ANY TIME.  
3. DIMENSIONS ARE IN MILLIMETERS, DIMENSIONS IN [ ] ARE IN INCHES  
4. LENGTH TOLERANCE IS ±1.5%.

VIEW	PART NO.		
 	LL200-SMAM-NM-3M		
SIZE	SCALE	SHEET	REV.
A3	2:1	1/1	A

4

3

2

1