

4

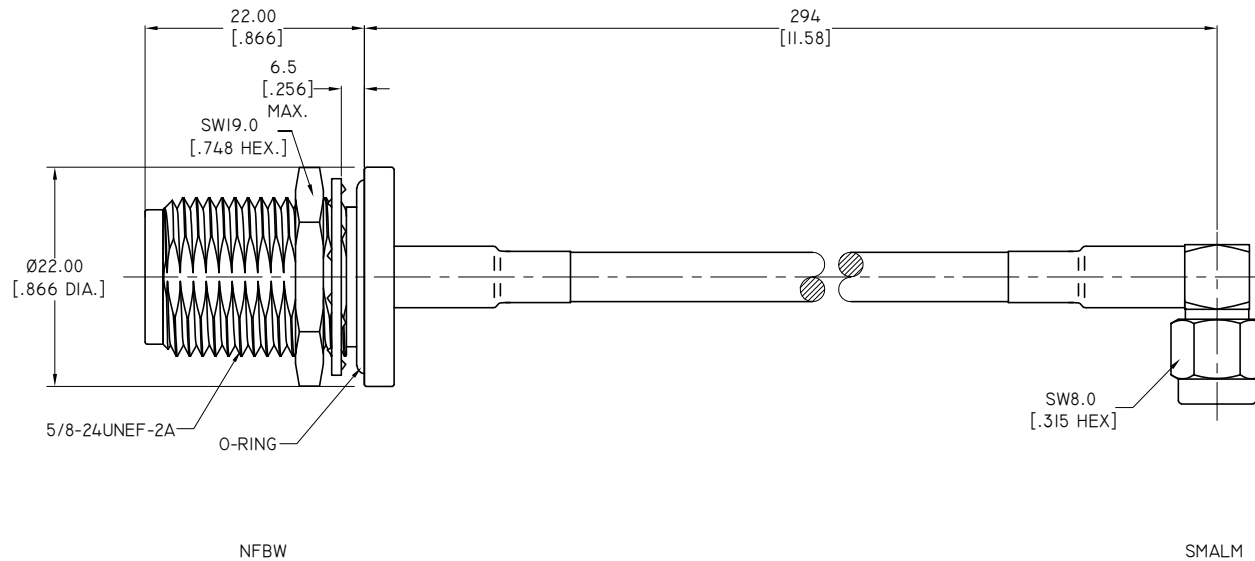
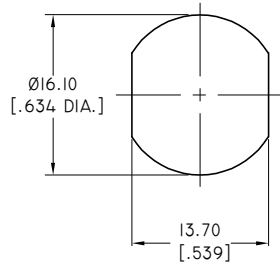
3

2

1

ELECTRICAL DATA:

- 1 IMPEDANCE: 50 OHMS
- 2 FREQUENCY RANGE: DC-1 GHZ
- 3 VSWR: 1.15 MAX.
- 4 INSERTION LOSS: 0.8 DB MAX.



TITLE
 CABLE ASSEMBLY, N STRAIGHT WATERPROOF
 BULKHEAD FEMALE TO SMA R/A MALE, LL195
 CABLE, 11.58 INCHS

NOTES:
 1. UNLESS OTHERWISE SPECIFIED ALL DIMENSIONS ARE NOMINAL.
 2. ALL SPECIFICATIONS ARE SUBJECT TO CHANGED WITHOUT NOTICE AT ANY TIME.
 3. DIMENSIONS ARE IN MILLIMETERS, DIMENSIONS IN [] ARE IN INCHES
 4. LENGTH TOLERANCE IS ±1.5%.

VIEW	PART NO. LL195-NFBW-SMALM-11.58			
	SIZE A3	SCALE 2:1	SHEET 1/1	REV. A

4

3

2

1