

4

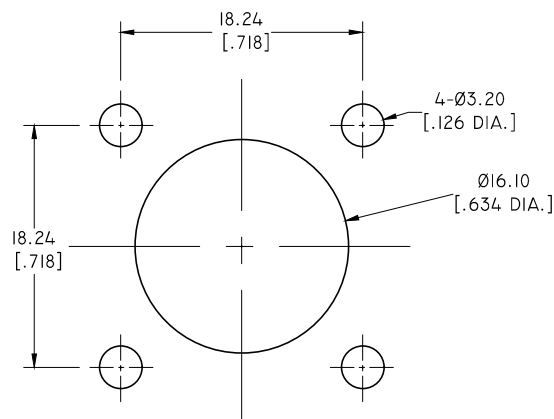
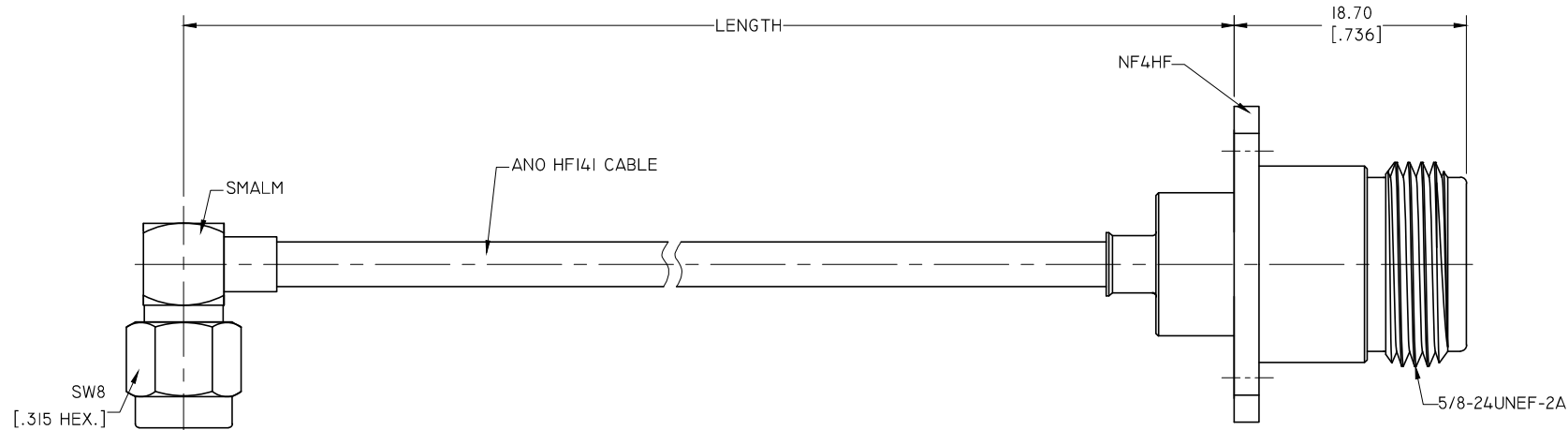
3

2

1

ELECTRICAL DATA:

- 1 IMPEDANCE: 50 OHMS
- 2 FREQUENCY RANGE: DC-18 GHZ



RECOMMENDED MOUNTING HOLE

PART NO.	LENGTH
HF14I-SMALM-NF4HF-I0	254 [10]
HF14I-SMALM-NF4HF-I4	355.6 [14]
HF14I-SMALM-NF4HF-XX	CUSTOM LENGTH IN INCHES

- NOTES:
- 1. UNLESS OTHERWISE SPECIFIED ALL DIMENSIONS ARE NOMINAL.
  - 2. ALL SPECIFICATIONS ARE SUBJECT TO CHANGED WITHOUT NOTICE AT ANY TIME.
  - 3. DIMENSIONS ARE IN MILLIMETERS, DIMENSIONS IN [ ] ARE IN INCHES
  - 4. LENGTH TOLERANCE IS ±1.5%.



TITLE  
 CABLE ASSEMBLY, SMA RIGHT ANGLE MALE TO N  
 STRAIGHT FEMALE 4 HOLE FLANGE, ANO HF14I CABLE

VIEW 	PART NO. HF14I-SMALM-NF4HF-XX			
	SIZE A3	SCALE 4:1	SHEET 1/1	REV. A

4

3

2

1