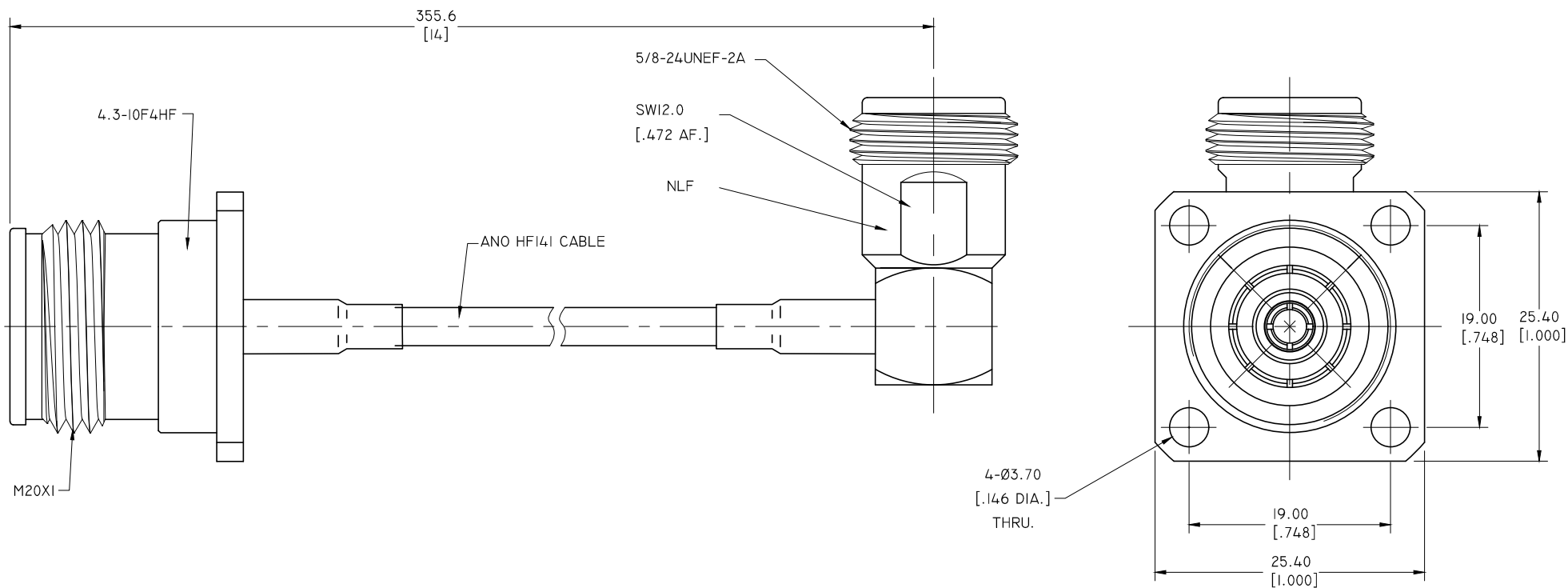


ELECTRICAL DATA:

- 1 IMPEDANCE: 50 OHMS
- 2 FREQUENCY RANGE: DC~3 GHz
- 3 VSWR: 1.30 MAX.
- 4 INSERTION LOSS: 0.5 DB MAX.
- 5 PIM: ≤-156DBC AT 2X43DBM



TITLE
 CABLE ASSEMBLY, 4.3-10 STRAIGHT FEMALE 4 HOLE FLANGE
 MOUNT TO N RIGHT ANGLE FEMALE, ANO HF14I CABLE, 14 INCHES

- NOTES:
 1. UNLESS OTHERWISE SPECIFIED ALL DIMENSIONS ARE NOMINAL.
 2. ALL SPECIFICATIONS ARE SUBJECT TO CHANGED WITHOUT NOTICE AT ANY TIME.
 3. DIMENSIONS ARE IN MILLIMETERS, DIMENSIONS IN [] ARE IN INCHES
 4. LENGTH TOLERANCE IS ±1.5%.

VIEW 	PART NO. HF14I-4310F4HF-NLF-14			
	SIZE A3	SCALE 4:1	SHEET 1/1	REV. A